



W-515D / W-530D Fog Machine User Manual



CONFORMS TO
ANSI/SUL STD. 499
CERTIFIED TO
CAN/CSA STD.
C22.2 NO.54



English • Français • Deutsch • 中文





User Manual

W-515D & W-530D Fog Machine

Congratulations on the purchase of your new ANTARI
W-Series FOG MACHINE.

Introduction

Thank you for choosing an ANTARI W-Series Fog Machine. You now own a rugged and powerful state-of-the-art machine. Prior to use, we suggest that you carefully read all of the instructions. By following the suggestions found in this user manual, you can look forward to the reliable and satisfactory performance of your ANTARI Fog Machine for years to come.

Please follow these operation, safety and maintenance instructions to ensure a long and safe life for your fog machine.



CAUTION:

Risk of electric shock. Disconnect the appliance from the electric supply before refilling liquid, cleaning, or performing maintenance on the machine.

Danger of Electric Shock

- Keep this device dry.
- Indoor use only. Not designed for outdoor use.
- For all models, use 3-prong grounded electrical outlet only. Prior to use, make sure to determine that the unit is installed at the rated voltage.
- Always unplug your ANTARI W-Series Fog Machine before filling its tank.
- Always keep fog machine in upright position.
- Turn off or unplug the machine when not in use.
- This machine is not water-proof. If moisture, water, or fog fluid gets inside the housing, immediately unplug the unit and contact a service technician or your ANTARI dealer before using it again.
- No user serviceable parts inside. Refer to your ANTARI dealer or other qualified service personnel.



Danger of Burns

- This device is for adult use only and must be installed out of the reach of children.
- Never leave the unit running unattended. Never aim the output nozzle directly at people.

- Fog machine output is very hot. Avoid coming within 50 cm of the output Nozzle during operation.
- Operate the fog machine in a well-ventilated area. Never cover the unit's vents. In order to guarantee adequate ventilation, allow a free air space of at least 20 cm around the sides and top of the unit. Never aim the output nozzle at open flames.
- If the supply cord is damaged, it must be replaced by manufacturer or its service agent or similarly qualified personnel in order to avoid a hazard.
- The output nozzle becomes very hot during operation (200°C). Keep flammable materials at least 50 cm away from the nozzle.
- Always allow your ANTARI Fog Machine to cool down before attempting to clean or service it.



Danger of Explosion

- Never add flammable liquids of any kind (such as oil, gas, perfume) to the fog liquid.
- Use only high-quality, water-based fog liquid that your dealer recommends. Other fog liquids may cause clogging or “spitting”.
- Always make sure there is sufficient liquid in the tank. Operating this unit without liquid might cause damage to the pump as well as over-heating of the heater.
- If your ANTARI W-515D or W-530D Fog Machine fails to work properly, discontinue use immediately. Drain all fog liquid from the tank, pack the unit securely (preferably in the original packing material), and return it to your ANTARI dealer for service.
- Always drain tank before mailing or transporting this unit.
- Never drink fog liquid. If it is ingested, call a doctor immediately. If fog liquid comes in contact with skin or eyes, rinse thoroughly with water.

Note: Pay attention to all warning labels and instructions printed on the exterior of your ANTARI Fog Machine.

Unpacking & Inspection

Open the shipping carton and verify that all equipment necessary to operate the system has arrived intact.

The shipping carton should contain the following items:

1. One unit of W-515D or W-530D Fog Machine
2. Power cord
3. One Set of W-1 transmitter
4. User Manual

If any equipment is missing, contact your ANTARI dealer immediately.

Before beginning your initial setup on ANTARI W-515D & W-530D Fog Machine, make sure that there is no evident damage caused by transportation. In the event that the unit's housing or cable is damaged, do not plug it in and do not attempt to use it until after contacting your ANTARI dealer for assistance.

Setup

- Remove all packing materials from shipping box. Check that all foam and plastic padding is removed, especially in the nozzle area.
- Place the fog machine on a flat surface and remove fog liquid tank cap. Place the liquid tube into a properly filled liquid tank.
- Fill with high-quality, water-based fog liquid recommended by ANTARI dealer.
- The W-515D or W-530D only works with uncontaminated Antari FLR or FLG Fog Liquid. Any other types of liquid can damage the unit resulting in spitting and serious clogging problem. When filled, place cap back on liquid tank. Be careful not to exceed the maximum fluid level. DO NOT OVERFILL.

Operation

Control Panel

The built-in control panel on the rear of the machine features an LCD panel displaying all operation status of the fog machine. The control panel allows the user to customize fog machine functions by adjusting the fogging duration, interval, and volume as well as the DMX and W-DMX address, the wireless function and the fluid sensor. There are 4 buttons on the control board. All current operating parameters are automatically stored in non-volatile memory, allowing the machine to be powered down without losing function settings.

After powering on, the display shortly indicates »Antari W-515D/W-530D«. At this time, users may press the MENU button and hold for 2 seconds to switch the language of the control interface from English to Chinese.

Then the display indicates »Wireless Detect...«. This indication lasts for 15 seconds. Users may register the W-1 wireless transmitter to the fog machine by pressing Key A on the W-1 during this period. When the wireless control function is off, this indication won't be shown.

Then the fog machine starts with the warm-up process and the display indicates »Warming Up«. While the unit is warming up, fog output will not be possible yet. Program the necessary menu settings with the control panel. Once the warm-up process is completed, fog output will be possible. The display indicates »Ready to Fog«. Additionally, a »P« for W-DMX, a »W« for wireless or an »S« for fluid sensor is indicated if these functions are activated.

- Menu settings with the button MENU

- Setting time intervals for timer operation

Press the button MENU until the display indicates »Interval Set«. Use the buttons UP and DOWN to adjust the intervals between the individual fog outputs in timer mode within the range of 5 and 200 seconds.

• **Setting the output duration for timer operation**

Press the button MENU until the display indicates »Duration Set«. Use the buttons UP and DOWN to adjust the duration of the fog outputs in timer mode within the range of 1 and 200 seconds.

• **Setting the fog output volume for timer operation**

Press the button MENU until the display indicates »Timer Output«. Use the buttons UP and DOWN to adjust the fog output volume in timer mode within the range of 1 % and 100 %.

• **Setting the fog output volume for continuous operation**

Press the MENU button until the display indicates »Volume Output«. Use the buttons UP and DOWN to adjust the fog output volume in continuous mode within the range of 1 % and 100 %.

To set the unit to continuous fog output in continuous mode, select »NON STOPBURST« below a value of 1 % or above a value of 100 %.

NOTE:

When setting a fog output volume higher than 30 % for continuous operation, the fog machine occasionally needs to stop the fog output to reheat.

When »NONSTOPBURST« is selected, the fog machine adjusts the fog output volume and heater temperature automatically and does not need to stop the fog output to reheat.

• **Setting the DMX512 address**

Press the MENU until the display indicates »DMX512 Address: 001«. Use the buttons UP and DOWN to set the machine to the same address as on your DMX controller. Please refer to chapter DMX512 settings for more information on DMX operation.

• **Switching the wireless function on and off**

Press the button MENU until the display indicates »Wireless ON«. Use the buttons UP and DOWN to deactivate the wireless function (indication »Wireless OFF«) and to reactivate it (indication »Wireless ON«).

• **Switching the fluid sensor on and off**

Press the button MENU until the display indicates »Fluid Sensor Set ON«. Use the buttons UP and DOWN to deactivate the fluid sensor (indication »Fluid Sensor Set OFF«) and to reactivate it (indication »Fluid Sensor Set ON«).

• **Switching the W-DMX function on and off**

Press the button MENU until the display indicates »W-DMX Power ON«. Use the buttons UP and DOWN to deactivate the W-DMX function (indication »W-DMX Power OFF«) and to reactivate it (indication »W-DMX Power ON«).

Note:

When W-DMX function is activated, the connection status will be shown on display by below symbols.

Status of W-DMX connection	Symbol on the Liquid Crystal Display
Transmitter assigned, DMX signal received	●
Transmitter assigned, No DMX signal	◎
Transmitter link lost or linking to transmitter	◉
Transmitter not assigned	○

• Setting W-DMX 512 address

When W-DMX function is activated, press button MENU until the display indicates »W-DMX Address: 001«. Use the buttons UP and DOWN to set the machine to the same address as on your W-DMX console.

• Resetting W-DMX connection

When W-DMX function is activated, press button MENU until the display indicates »W-DMX Reset OFF«. Use the buttons UP and DOWN to activate the resetting: delete previous W-DMX connection and relink. Once the deletion and relink are done, the display indicates »W-DMX Reset OFF« again.

• Switching the run last setting function on and off

Press the button MENU until the display indicates »Run Last Setting ON«. Use the buttons UP and DOWN to deactivate the fun last setting function (indication »Run Last Setting OFF«) and to reactivate it (indication »Run Last Setting ON«).

- Continuous operation

Press the button VOLUME, to activate continuous fog output. The display indicates »Volume Output« followed by the value that was set in the menu item »Volume Output« or »NONSTOPBURST« when continuous fog output was selected. To stop the fog output, press STOP button.

NOTE:

When a fog output volume higher than 30 % was set for continuous operation, the fog machine occasionally needs to stop the fog output to reheat. When »NONSTOPBURST« was selected, the fog machine adjusts the fog output volume and heater temperature automatically and does not need to stop to reheat.

- Timer operation

In the timer mode, the fog machine will automatically emit fog. The time intervals, duration and fog volume depend on the corresponding menu settings. Press the button **TIMER** to activate the timer mode. The display indicates the set time interval. The unit counts down to 0 seconds and emits fog. To deactivate the timer mode, press **STOP** button.

W-1 Wireless Remote

The wireless remote control system W-1 consists of a transmitter equipped with two buttons for fog on and off, and a receiver pre-attached to the rear panel of each W-series model.

*** Transmitter:**



With the transmitter it is possible to emit fog via radio over a distance of up to 50 meters. The transmitter is compatible to any receiver of the W-series and can control an unlimited number of machines in parallel.

Press the button "A", to emit fog. The button "A" has the same function as the button **VOLUME** on the control panel, i.e. the fog output depends on the setting of menu item »Volume Output«. The display indicates »Volume« followed by the defined value or »NONSTOPBURST« when continuous fog output was selected. As additional control, the blue LED light. To stop the fog output, press the button "B".

*** Receiver:**



The receiver is tested and pre-attached to the rear panel of each W-series model. Please do not try to remove it. The receiver responds to up to 5 different transmitters that are registered with the machine. The included transmitter has been registered to the machine before shipment. It can be directly operated without any start-up setting.

- Registering transmitters

To operate the machine with a different transmitter than the included one, or to operate it with up to 5 different transmitters, each transmitter must be registered first. For this purpose, turn on the machine. When the display indicates »Wireless Detect...«, press the button "A" 1 second on each transmitter. Thus the previous transmitters are cleared from the memory of the receiver. The setting must be completed within 15 seconds at indication »Wireless Detect...«.

If no transmitter is registered when the machine is switched on, the memory of the receiver will keep the record of the previous operation.

Setting Example 1:

In order to register several transmitters with a machine, turn on the machine. When the display indicates »Wireless Detect...«, press the button "A" 1 second on each transmitter within 15 seconds to establish the signal transmission.

Setting Example 2:

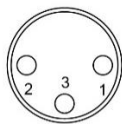
In order to use 1 transmitter to control 2 or more machines, turn on the machines at the same time. When the display indicates »Wireless Detect...«, press the button "A" 1 second on the transmitter within 15 seconds to establish the signal transmission.

- Battery change on the transmitter

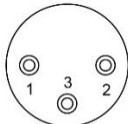
If the range of the transmitter decreases, the battery is probably exhausted and must be replaced. For this purpose, take off the housing cover and remove the used battery. Insert a fresh 12 V battery, type 27A as indicated in the battery compartment and refit the housing cover.

DMX Connector Pin Assignment

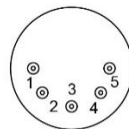
The machine provides 3 or 5 pin XLR connector for DMX connection. The diagram below indicates pin assignment information



3 pin XLR



5 pin XLR



Pin	Function
1	Ground
2	Data-
3	Data+
4	N/A
5	N/A

DMX512 Settings

Channel A



0 - 5 = off (no output)

6 - 255 = output volume control (1 - 100 % output)

Both models are equipped with a DMX512 system. For connecting a DMX controller, 3-pin and 5-pin male-female XLR connections are provided at the back of each machine. The machines uses one control channel for adjusting the output volume. The channel has a DMX value range of 0 to 255. After connecting a DMX controller, timer functions such as output duration and interval can be programmed using the DMX controller or the DMX control software. The machine cannot be controlled via the built-in control panel nor the W-1 wireless remote anymore. By using the DMX protocol, fog machines, lighting effects, and other special effects machines can be interconnected and easily controlled.

If channel A has a value from 0 to 5, the unit is off.

Between the values 6 to 255 the fog output volume is regulated. With 6 being the minimum output volume and 255 approaching the maximum output volume. The output volume rises as the DMX value is increased.

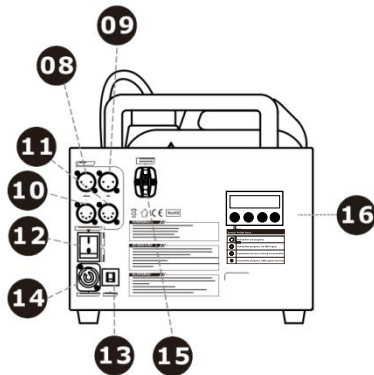
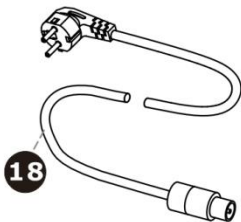
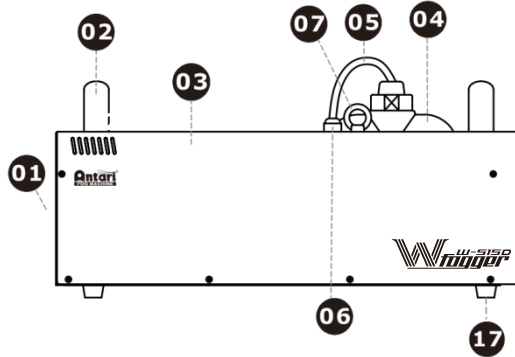
Note: If, for example, the machine is assigned to the DMX address 124, channel A corresponds to DMX address 124.

Note

If you experience low output, pump noise or no output at all, unplug immediately. Check the fluid level, the external fuse, the connection to the remote control, and power from the wall. If all of the above appears to be O.K., plug the unit in again. If fog does not come out after holding the remote button down for 30 seconds, check the hose attached to the tank to make sure there is fluid going through the hose. If you are unable to determine the cause of the problem, do not simply continue pushing the remote button, as this may damage the unit. Return the machine to your Antari dealer.

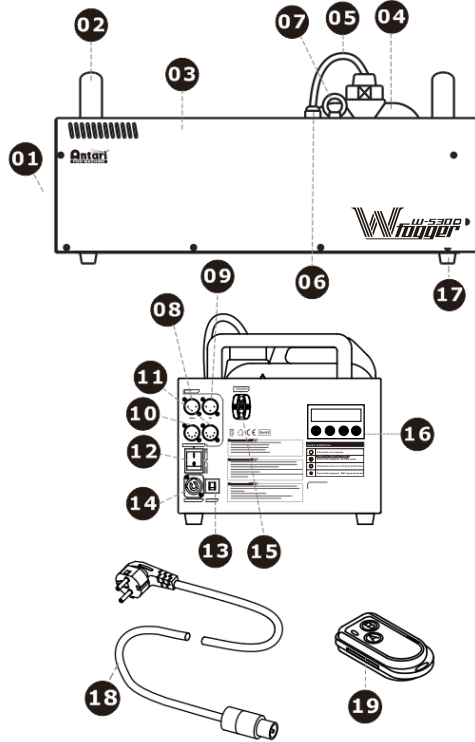
W-515D External View

- 01-Nozzle
- 02-Handle
- 03-Body
- 04-Tank & tank's cap
- 05-PUtube & filter
- 06-Tube adaptor
- 07-Safety ring
- 08-Control outlet socket
(3 Pin XLR for DMX)
- 09-Control inlet socket
(3 Pin XLR for DMX)
- 10-Control outlet socket
(5 Pin XLR for DMX)
- 11-Control inlet socket
(5 Pin XLR for DMX)
- 12-Rocker switch / Power
- 13-Circuit breaker
- 14-Power socket
- 15-W-1 wireless receiver / W-DMX receiver
- 16-Control panel
- 17-Foot
- 18-Power cord
- 19-W-1 wireless transmitter



W-530D External View

- 01-Nozzle
- 02-Handle
- 03-Body
- 04-Tank & tank's cap
- 05-PU tube & filter
- 06-Tube adaptor
- 07-Safety ring
- 08-Control outlet socket (3 Pin XLR for DMX)
- 09-Control inlet socket (3 Pin XLR for DMX)
- 10-Control outlet socket (5 Pin XLR for DMX)
- 11-Control inlet socket (5 Pin XLR for DMX)
- 12-Rocker switch / Power
- 13-Circuit breaker
- 14-Power socket
- 15-W-1 wireless receiver / W-DMX receiver
- 16-Control panel
- 17-Foot
- 18-Power cord
- 19-W-1 wireless transmitter



Performance Note

All fog machines develop condensation around the output nozzle. Because this may result in some moisture accumulation on the surface below the output nozzle, consider this condensation when installing your unit.

All fog machines may sputter small amounts of fog occasionally during operation and for a minute or so after being turned off.

All fog machines have a recycling period after long bursts when the machine will shut itself down for a short period in order to heat up again. During this time no fog can be produced.

Cleaning and Storage

Do not allow the fog liquid to become contaminated. Always replace the cap on the fog liquid container and the fog machine liquid tank immediately after filling. Cleaning your fog machine regularly can help you to reduce the frequency of parts replacement and maintenance costs. After every 40 hours of continuous

operation, it is recommended to use distilled water to clean the heater according to the steps below.

The recommended cleaning regimen is as follows:

1. Fill properly distilled water into a clean tank and connect the fluid tube of the fog machine to the tank.
2. Run the unit in a well-ventilated area until the tank is almost empty.
3. Use dry a cloth to wipe the fog machine. Cleaning is now complete. Refill with fog liquid. Run the machine briefly to clear any remaining liquid from the pump and heater.

Note: All fog machines are prone to clogging due to the thick consistency of fog liquid and the high temperature at which it vaporizes. However, a properly maintained fog machine should provide years of reliable use.

Clean with a dry cloth only. Store dry.

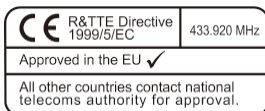
If the fog machine is not in use, please clean it before storage. Store the fog machine in a dry and cool place. Operate the fog machine at least once a month. A test-run consists of warming-up the machine followed by a few minutes of fog emission.

Technical Specification

Model	W-515D	W-530D
Input voltage	US model : AC 100-120V, 50/60HZ 9A EU model : AC 220-240V, 50/60Hz 4.5A	EU model : AC 220-240V, 50/60Hz 4.5A
Rated power	1500W	2570W
Warm-up time	10 minutes (approx.)	12 minutes (approx.)
Fluid consumption	100 ml/min	160 ml/min
Fluid tank capacity	6 Liters (1.59gal)	6 Liters (1.59gal)
Compatible fluid	Antari FLG Heavy Fog Fluid Antari FLR Light Fog Fluid	Antari FLG Heavy Fog Fluid Antari FLR Light Fog Fluid
Ambient temp. range	0°C - 40 °C (32°F-104 °F)	0 °C - 40 °C (32 °F-104 °F)
Control	DMX512, Timer, Manual, Wireless, Wireless DMX	DMX512, Timer, Manual, Wireless, Wireless DMX
DMX channels	1 channel	1 channel
Connection	Neutrik Powercon (Power) XLR 3-pin and 5-pin (DMX)	Neutrik Powercon (Power) XLR 3-pin and 5-pin (DMX)
Optional accessories	FX-5 Flightcase W-515-HB Hanging Bracket	FX-5 Flightcase W-515-HB Hanging Bracket
Dimension	L561 W278 H265 mm (L22.09 W10.94 H10.43 inch)	L581 W278 H265 mm (L22.87 W10.94 H10.43 inch)
Weight	14.5 kg (31.97 lbs)	19.1 kg (42.11 lbs)

Approval

This product is in accordance with the R&TTE directive (Radio and Telecommunication Technical Equipment) of the European Union and falls into equipment Class 1. In all EU member countries, the operation of this wireless system is generally approved by the national telecom regulatory authority. The system is license-free. In some countries outside the EU, the operation of this wireless system may need to be approved by the national telecoms regulatory authority.



Warranty

Warranty shall be valid only if the product is purchased from Antari's authorized distributors or dealers. For warranty service, send the product only to an authorized distributor or dealer.

All warranties are voided if the product has been modified in any manner; if the product has been repaired or serviced by unauthorized personnel; or the product is damaged due to improper use or maintenance as set forth in the instruction manual.

This is not a service contract and does not include standard maintenance or cleaning. All expendables are not covered by this warranty.

Additional warranties provided at the discretion of the distributor dealers shall remain the sole obligation of the distributor or dealer.

Always quote the unit's serial number and model name when contacting your distributor for information or assistance.

Please read and save these instructions.



Bedienungsanleitung W-515D & W-530D Nebelmaschine

Herzlichen Glückwunsch zum Kauf Ihrer neuen Antari-Nebelmaschine W-Serie.

Einführung

Vielen Dank, dass Sie sich für eine Antari-Nebelmaschine der W-Serie entschieden haben. Sie sind nun im Besitz einer robusten und leistungsstarken Nebelmaschine. Vor Benutzung der Maschine bitte unbedingt diese Bedienungsanleitung sorgfältig lesen. Wenn Sie die Hinweise in dieser Bedienungsanleitung beachten, können Sie sich in den nächsten Jahren auf eine zuverlässige und überzeugende Leistung Ihrer Antari-Nebelmaschine freuen.

Bitte halten Sie sich an diese Bedienungs- und Sicherheitsanweisungen, um eine langlebige Lebensdauer Ihrer Nebelmaschine sicherzustellen.



ACHTUNG

Stromschlaggefahr. Trennen Sie das Gerät vom Netz, bevor Sie Flüssigkeit nachfüllen, sowie vor jeder Reinigung und Wartung.

Stromschlaggefahr

- Vor Nässe schützen.
- Nur innerhalb geschlossener Räume betreiben. Nicht für den Betrieb im Freien geeignet.
- Verwenden Sie bitte ausschließlich 3-adrige, geerdete Steckdosen. Vor Inbetriebnahme darauf achten, dass das Gerät an die richtige Spannung angeschlossen wird.
- Vor Befüllen des Tanks ist Ihre Antari-Nebelmaschine immer vom Netz zu trennen.
- Achten Sie darauf, dass die Nebelmaschine stets aufrecht installiert ist.
- Nach dem Betrieb trennen Sie bitte die Maschine vom Netz oderschalten sie aus.
- Diese Maschine ist nicht wassergeschützt. Sollte Feuchtigkeit, Wasser oder Flüssigkeit ins Innere der Maschine gelangen, trennen Sie die Maschine bitte sofort vom Netz und trocknen bzw. reinigen Sie sie. Sollte sich die Maschine nicht reinigen lassen, kontaktieren Sie bitte einen Servicetechniker oder Ihren Antari-Händler bevor Sie die Maschine erneut benutzen.

- Im Innern der Maschine befinden sich keine vom Benutzer zu wartenden Teile. Wenden Sie sich an Ihren autorisierten Fachhändler für Wartungs- und Servicearbeiten.



Stromschlaggefahr

- Nur für Erwachsene. Die Maschine muss außerhalb der Reichweite von Kindern installiert werden. Betreiben Sie das Gerät niemals unbeaufsichtigt.
- Richten Sie die Austrittsdüse niemals direkt auf Personen.
- Der Ausstoß der Maschine ist sehr heiß. Halten Sie während des Betriebs einen Sicherheitsabstand von ca. 50 cm zur Austrittsdüse ein.
- Betreiben Sie das Gerät in gut belüfteten Räumen, bis der Tank leer ist. Bedecken Sie niemals den Luftaustritt der Maschine. Um eine ausreichende Belüftung zu gewährleisten, halten Sie bitte einen Mindestabstand von etwa 20 cm um und über der Maschine ein.
- Richten Sie die Austrittsdüse niemals auf offene Flammen.
- Wenn die Netzleitung beschädigt wird, muss sie durch den autorisierten Fachhandel ersetzt werden, um Gefährdungen zu vermeiden.
- Die Austrittsdüse wird während des Betriebs sehr heiß (200° C). Für leicht entflammbare Materialien muss ein Mindestabstand von 50 cm zur Austrittsdüse eingehalten werden.
- Lassen Sie die Maschine immer vor Reinigungs- und Wartungsarbeiten abkühlen.



Explosionsgefahr

- Mischen Sie niemals entzündliche Flüssigkeiten jeglicher Art (Öl, Gas, Duftstoffe) unter die Nebelflüssigkeit.
- Verwenden Sie ausschließlich hochwertige und von Ihrem Händler empfohlene Nebelflüssigkeiten auf Wasserbasis. Andere Nebelflüssigkeiten können zum Verstopfen oder Tropfendes Gerätes führen.
- Achten Sie unbedingt darauf, dass sich immer eine ausreichende Menge Nebelflüssigkeit im Tank befindet. Der Betrieb ohne Nebelflüssigkeit führt zu Pumpenschäden und zur Überhitzung des Heizelementes.
- Sollte Ihre Antari-Nebelmaschine einmal nicht mehr ordnungsgemäß arbeiten, schalten Sie sie bitte sofort ab. Entleeren Sie den Tank vollständig, verpacken Sie die Maschine sorgfältig (am besten in der Originalverpackung) und schicken Sie sie bei Ihrem Antari-Händler ein.
- Entleeren Sie den Tank immer, bevor Sie das Gerät verschicken oder transportieren.
- Trinken Sie niemals Nebelflüssigkeit. Sollte es dennoch einmal verschluckt werden, konsultieren Sie bitte sofort einen Arzt. Sollten die Haut oder die Augen einmal mit Nebelflüssigkeit in Berührung kommen, bitte sorgfältig mit Wasser auswaschen.

Hinweis: Bitte beachten Sie alle auf Ihrer Antari-Maschine angebrachten Warnhinweise und Anweisungen.

Auspacken und Prüfen der Maschine

Öffnen Sie den Versandkarton und stellen Sie sicher, dass alle Teile, die für den Betrieb des Systems notwendig sind, in einem einwandfreien Zustand eingetroffen sind.

Der Versandkarton sollte die folgenden Posten beinhalten:

1. Eine Nebelmaschine W-515D oder W-530D
2. Netzkabel
3. Eine W-1 Sendeeinheit
4. Bedienungsanleitung

Wenn Ausrüstungsteile fehlen sollten, nehmen Sie bitte sofort mit Ihrem Antari-Händler Kontakt auf.

Bevor Sie mit der Inbetriebnahme Ihrer Antari-Maschine beginnen, stellen Sie sicher, dass kein offensichtlicher Transportschaden vorliegt. Falls das Gehäuse der Einheit oder das Kabel beschädigt sein sollte, stecken Sie sie nicht in die Steckdose und versuchen Sie nicht, sie zu benutzen, bevor Sie Ihren Antari-Händler kontaktiert haben.

Inbetriebnahme

- Entfernen Sie jegliches Verpackungsmaterial vom Versandkarton. Vergewissern Sie sich, dass alle Schaumstoff- und Plastikeinlagen entfernt werden, insbesondere in der Nähe der Austrittsdüse.
- Installieren Sie die Nebelmaschine auf einer ebenen Oberfläche und schrauben Sie den Deckel des Flüssigkeitstanks ab.
- Stecken Sie den Flüssigkeitsschlauch in einen ordnungsgemäß gefüllten Flüssigkeitstank.
- Füllen Sie den Tank mit den Antari-Nebelflüssigkeiten FLR oder FLG oder anderen hochwertigen Nebelflüssigkeiten auf Wasserbasis, die von Ihrem Händler empfohlen wurden. Alle anderen Nebelflüssigkeiten können Beschädigungen am Gerät zur Folge haben. Nach dem Befüllen verschließen Sie den Tank bitte wieder mit dem Deckel. Achten Sie darauf, den Tank nicht zu überfüllen. NICHT ÜBERFÜLLEN.

Bedienung

Bedienfeld

Das integrierte Bedienfeld auf der Maschinenrückseite verfügt über eine LCD-Anzeige, auf der alle Betriebszustände der Maschine abgelesen werden können. Mit dem Bedienfeld kann der Anwender individuell Nebeldauer, Intervall, und Ausstoßvolumen sowie die DMX-Adresse, die W-DMX-Adresse, die Funkfunktion und den Flüssigkeitssensor einstellen. Das Bedienfeld umfasst 4 Tasten. Alle Betriebsparameter werden automatisch in einem nichtflüchtigen Speicher gespeichert. Dadurch bleiben alle Einstellungen erhalten, auch wenn die Maschine ausgeschaltet wird.

Nach dem Einschalten zeigt das Display kurz »Antari W-515D/W-530D«.

Jetzt lässt sich die Menüsprache von Englisch auf Chinesisch umstellen. Halten Sie dazu die Taste MENU 2 Sekunden gedrückt.

Dann zeigt das Display für 15 Sekunden »Wireless Detect...«. Während dieser Zeit können dem Gerät W-1 Sendeeinheiten zugewiesen werden. Drücken Sie

dazu die Taste "A" 1 Sekunde auf den Sendeeinheiten. Bei ausgeschalteter Funkfunktion, erscheint die Anzeige »Wireless Detect...« nicht.

Danach beginnt die Aufheizphase und das Display zeigt »Warming Up«. Während der Aufheizphase kann noch kein Nebel ausgestoßen werden. Nehmen Sie die notwendigen Menüeinstellungen mit dem Tastenfeld auf der Empfängereinheit vor. Sobald die Aufheizphase beendet ist, ist die Nebelmaschine bereit zum Nebelausstoß. Das Display zeigt »Ready to Fog«.

Zusätzlich wird »P« für W-DMX, »W« für Wireless [Funk] oder »S« für Fluid Sensor [Flüssigkeitssensor] angezeigt, wenn diese Funktionen aktiviert sind.

- Menüeinstellungen mit der Taste MENU

- Zeitintervalle für den Timer-Betrieb einstellen

Drücken Sie die Taste MENU, bis auf der Anzeige »Interval Set« [Intervall einstellen] erscheint. Verwenden Sie die Tasten UP und DOWN, um die Zeitintervalle (d.h. die Pausen zwischen den einzelnen Nebelausstößen) für den Timer-Betrieb zwischen 5 und 200 Sekunden einzustellen.

- Nebeldauer für den Timer-Betrieb einstellen

Drücken Sie die Taste MENU, bis auf der Anzeige »Duration Set« [Zeitdauer einstellen] erscheint. Verwenden Sie die Tasten UP und DOWN, um die Zeitdauer der Nebelausstöße zwischen 1 und 200 Sekunden einzustellen.

- Nebelmenge für den Timer-Betrieb einstellen

Drücken Sie die Taste MENU, bis auf der Anzeige »Timer Output« [Nebelmenge einstellen] erscheint. Verwenden Sie die Tasten UP und DOWN, um einen Wert zwischen 1 % und 100 % für die Nebelmenge im Timer-Betrieb einzustellen.

- Nebelmenge für den Dauerbetrieb einstellen

1. Drücken Sie die Taste MENU, bis auf der Anzeige »Volume Output« [Nebelmenge einstellen] erscheint. Verwenden Sie die Tasten UP und DOWN, um einen Wert zwischen 1 % und 100 % für die Nebelmenge im Dauerbetrieb einzustellen.

2. Um die maximale Nebelmenge im Dauerbetrieb ausstoßen zu können, wählen Sie die Einstellung »NONSTOPBURST«. Diese lässt sich unter einem Wert von 1 % oder über einem Wert von 100 % anwählen.

HINWEIS: Wird ein Wert für die Nebelmenge im Dauerbetrieb über 30 % eingestellt, unterbricht die Maschine den Nebelausstoß von Zeit zu Zeit, um wiederaufzuheizen. Wird »NONSTOPBURST« gewählt, reguliert die Maschine die Nebelmenge und die Heiztemperatur automatisch und muss den Nebelausstoß nicht unterbrechen, um aufzuheizen.

- DMX512-Adresse einstellen

Drücken Sie die Taste MENU, bis auf der Anzeige »DMX512 Address: 001« [DMX512-Adresse einstellen] erscheint. Verwenden Sie die Tasten UP und DOWN, um die Maschine auf die DMX-Adresse Ihres DMX-Steuergeräts einzustellen. Bitte beachten Sie Kapitel DMX512-Einstellungen für weiterführende Informationen zum DMX-Betrieb.

- Funkfunktion an- und ausschalten

Drücken Sie die Taste MENU, bis auf der Anzeige »Wireless ON« [Funkfunktion An] erscheint. Verwenden Sie die Tasten UP und DOWN, um die Funkfunktion zu deaktivieren [Anzeige »Wireless OFF«] und wieder zu aktivieren [Anzeige »Wireless ON«].

- Flüssigkeitssensor an- und ausschalten

Drücken Sie die Taste MENU, bis auf der Anzeige »Fluid Sensor Set ON« [Flüssigkeitssensor An] erscheint. Verwenden Sie die Tasten UP und DOWN, um den Flüssigkeitssensor zu deaktivieren [Anzeige »Fluid Sensor Set OFF«] und wieder zu aktivieren [Anzeige »Fluid Sensor Set ON«].

- W-DMX-Funktion an- und ausschalten

Drücken Sie die Taste MENU, bis auf der Anzeige »W-DMX Power ON« [W-DMX-Funktion An] erscheint. Verwenden Sie die Tasten UP und DOWN, um die Funkfunktion zu deaktivieren [Anzeige »W-DMX Power OFF«] und wieder zu aktivieren [Anzeige »W-DMX Power ON«].

Hinweis:

Ist die W-DMX-Funktion aktiviert, wird der Verbindungsstatus im Display durch folgende Symbole angezeigt.

Status der W-DMX-Verbindung	Symbol im Display
Sender adressiert, DMX-Signal wird empfangen	●
Sender adressiert, kein DMX-Signal	⊙
Verbindung zu Sender verloren oder Verbindungsaufbau	◉
Sender nicht adressiert	○

- W-DMX512-Adresse einstellen

Drücken Sie die Taste MENU, bis auf der Anzeige »W-DMX Address: 001« [W-DMX-Adresse einstellen] erscheint. Verwenden Sie die Tasten UP und DOWN, um die Maschine auf die DMX-Adresse Ihres W-DMX-Steuergeräts einzustellen.

- W-DMX-Verbindung zurücksetzen

Drücken Sie die Taste MENU, bis auf der Anzeige »W-DMX Reset OFF« [W-DMX-Verbindung zurücksetzen aus] erscheint. Verwenden Sie die Tasten UP und DOWN,

um die W-DMX-Verbindung zurückzusetzen.

•Mit letzter Einstellung starten an- und ausschalten
Drücken Sie die Taste MENU, bis auf der Anzeige » Run Last Setting ON« [Mit letzter Einstellung starten an] erscheint. Verwenden Sie die Tasten UP und DOWN, um die Funktion zu deaktivieren [Anzeige »Run Last Setting OFF«] und wieder zu aktivieren [Anzeige » Run Last Setting ON«].

- Dauerbetrieb

Drücken Sie die Taste VOLUME, um einen dauerhaften Nebelausstoß auszulösen. Auf dem Display erscheint »Volume Output« gefolgt von dem Wert, der im Menüpunkt »Volume Output« [Nebelvolumen einstellen] eingestellt wurde oder bei Dauernebel »NONSTOPBURST«. Um den Nebelausstoß zu stoppen, drücken Sie erneut die Taste STOP.

HINWEIS: Ist ein Wert für die Nebelmenge im Dauerbetrieb über 30 % eingestellt, unterbricht die Maschine den Nebelausstoß von Zeit zu Zeit, um wieder aufzuheizen. Ist »NONSTOPBURST« gewählt, reguliert die Maschine die Nebelmenge und die Heiztemperatur automatisch und muss den Nebelausstoß nicht unterbrechen, um aufzuheizen.

- Timer-Betrieb

Im Timer-Betrieb stößt das Gerät automatisch Nebel aus. Die Zeitintervalle, die Nebeldauer und das Nebelvolumen richten sich nach den jeweiligen Menüeinstellungen. Drücken Sie die Taste TIMER, um den Timer-Modus zu aktivieren. Auf dem Display erscheint das eingestellte Zeitintervall. Das Gerät zählt rückwärts bis auf 0 Sekunden und löst den Nebelausstoß aus. Zum Ausschalten des Timer-Betriebs drücken Sie erneut die Taste STOP.

W-1 Funkfernbedienung

Das Funkfernsteuersystem W-1 besteht aus einer Sendeeinheit mit zwei Tasten für den Nebelausstoß und einer Empfängereinheit, die an jedem Modell der W-Serie vorinstalliert ist.

*** Sendeeinheit:**



Mit der Sendeeinheit lässt sich der Nebelausstoß per Funkübertragung über eine Distanz von bis zu 50 Metern auslösen. Die Sendeeinheit ist kompatibel zu allen Empfängern der W-Serie und kann eine unbegrenzte Anzahl von Maschinen parallel steuern.

Drücken Sie die Taste "A", um den Nebelausstoß auszulösen. Die Taste "A" hat die gleiche Funktion wie die Taste VOLUME am Bedienfeld, d. h. der Nebelausstoß richtet sich nach der Einstellung im Menüpunkt »Volume Output« [Nebelvolumen einstellen]. Auf dem Display erscheint »Volume« gefolgt von dem festgelegten Wert oder bei der maximalen Nebelmenge »NON STOP BURST«. Als zusätzliche Kontrolle, leuchtet die blaue LED. Um den Nebelausstoß zu stoppen, drücken Sie die Taste "B".

*** Empfänger:**



Der Empfänger wird getestet und an den Maschinen der W-Serie vorinstalliert. Versuchen Sie nicht, den Empfänger zu entfernen. Der Empfänger kann von bis zu 5 Sendeeinheiten gesteuert werden, die auf die Maschine adressiert sind. Die mitgelieferte Sendeeinheit ist vor der Auslieferung adressiert worden. Sie erfordert keine Konfiguration und kann sofort verwendet werden.

- Sendeeinheiten adressieren

Um eine andere Sendeeinheit als die mitgelieferte zur Steuerung der Maschine zu verwenden oder um die Maschine mit bis zu 5 verschiedenen Sendeeinheiten zu steuern, muss jede Sendeeinheit zuvor adressiert werden. Schalten Sie dazu die Maschine ein. Drücken Sie die Taste "A" 1 Sekunde auf jeder Sendeeinheit, wenn auf der Anzeige »Wireless Detect...« erscheint. Dadurch werden alle zuvor adressierten Sendeeinheiten aus dem Speicher des Empfängers gelöscht. Die Adressierung muss innerhalb von 15 Sekunden erfolgen.

Wird keine neue Sendeeinheit nach dem Einschalten der Maschine adressiert, bleibt die Einstellung aus dem vorhergehenden Betrieb im Empfänger erhalten.

Adressierungsbeispiel 1:

Sollen mehrere Sendeeinheiten auf eine Maschine adressiert werden, schalten Sie die Maschine ein. Drücken Sie die Taste "A" 1 Sekunde an jeder Sendeeinheit, wenn auf der Anzeige »Wireless Detect...« erscheint, um die Steuerungsverbindung herzustellen (innerhalb von 15 Sekunden).

Adressierungsbeispiel 2:

Soll eine Sendeeinheit zur Steuerung von zwei oder mehr Maschinen verwendet werden, müssen die Maschinen gleichzeitig eingeschaltet werden. Drücken Sie die Taste "A" 1 Sekunde auf der Sendeeinheit, wenn auf der

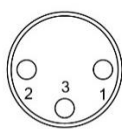
Anzeige »Wireless Detect...« erscheint, um die Steuerungsverbindung herzustellen.

-Batteriewechsel an der Sendeeinheit

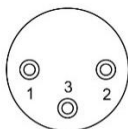
Lässt die Reichweite der Sendeeinheit nach, ist wahrscheinlich die Batterie verbraucht und muss ausgewechselt werden. Lösen Sie dazu die Gehäuseabdeckung und entfernen Sie die verbrauchte Batterie. Legen Sie eine frische 12-V-Batterie Typ 27A wie im Batteriefach angegeben ein und bringen Sie die Gehäuseabdeckung wieder an.

Belegung der DMX-Anschlüsse

Die Maschine verfügt über 3-polige und 5-polige XLR-Anschlüsse für den Anschluss an einen DMX-Controller. Die nachfolgende Grafik zeigt die Belegung der Buchsen.



3 pin XLR



5 pin XLR

Kontakt	Funktion
1	Masse
2	Signal-
3	Signal+

DMX512-Einstellungen

Kanal A



0 - 5 = aus (kein Ausstoß)

6 - 255 = Ausstoßregulierung (1 - 100 %)

Beide Modelle verfügen überDMX-Ansteuerung. Für den Anschluss an einen DMX-Controller sind 3-polige und 5-poligeDMX-Anschlüsse auf der Rückseite der Maschinen angebracht. Die Maschinen können über einen Steuerkanal im Ausstoß reguliert werden. Der Kanal bewegt sich innerhalb derDMX-Werte 0 bis 255. Nach dem Anschluss an einenDMX-Controller können Timer- Funktionen wie Nebeldauer und Intervall über denDMX-Controller oder die DMX-Steuerungssoftware programmiert werden. Die Bedienfelder oder die Funkfernsteuerungen W-1 können nun nicht mehr zur Steuerung der Maschinen verwendet werden. Durch die Verwendung desDMX- Steuerprotokolls können Nebelmaschinen, Lichteffekte und andere Effektgeräte innerhalb eines Verbunds ganz leicht gesteuert werden.

Zwischen den Werten 0 und 5 von Steuerkanal A ist die Maschine aus.

Zwischen den Werten 6 bis 255 wird der Ausstoß reguliert. Dabei entspricht der Wert 6 einem minimalen und 255 einem maximalen Ausstoß. Der Ausstoß steigt mit zunehmendem DMX-Wert.

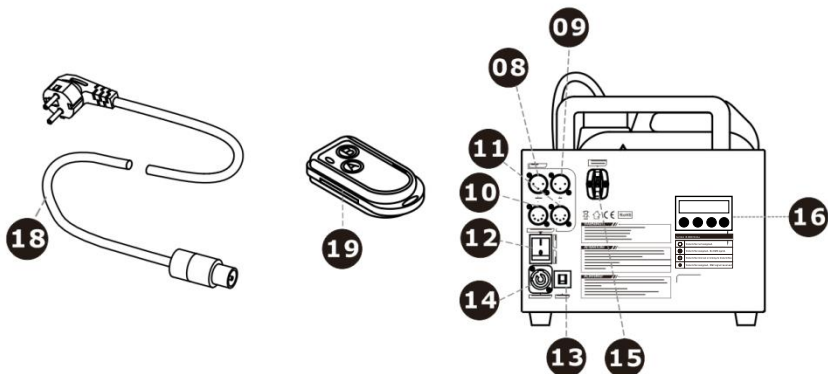
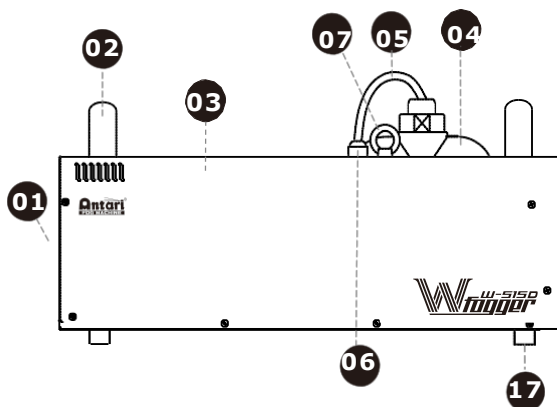
Hinweis: Wird das Gerät zum Beispiel auf die DMX-Startadresse 124 kodiert, entspricht Kanal A genau dieser DMX-Startadresse.

Hinweis:

Sollten Sie einen verminderten Ausstoß, Pumpgeräusche oder überhaupt keinen Ausstoß feststellen, sofort die Maschine vom Netz trennen. Kontrollieren Sie den Flüssigkeitsstand, die externe Sicherung, den Anschluss zur Fernbedienung und die Stromversorgung. Sollte nach 30 Sekunden permanenten Drückens des Fernbedienungsknopfes immer noch kein Ausstoß erfolgen, überprüfen Sie bitte den Verbindungsschlauch zum Tank und vergewissern Sie sich, dass Nebelflüssigkeit hindurch fließen kann. Wenn Sie die Ursache des Problems nicht feststellen können, drücken Sie bitte nicht weiter die Fernbedienungstaste, da dies zu Schäden am Gerät führen kann. Schicken Sie das Gerät bei Ihrem Antari-Händler ein.

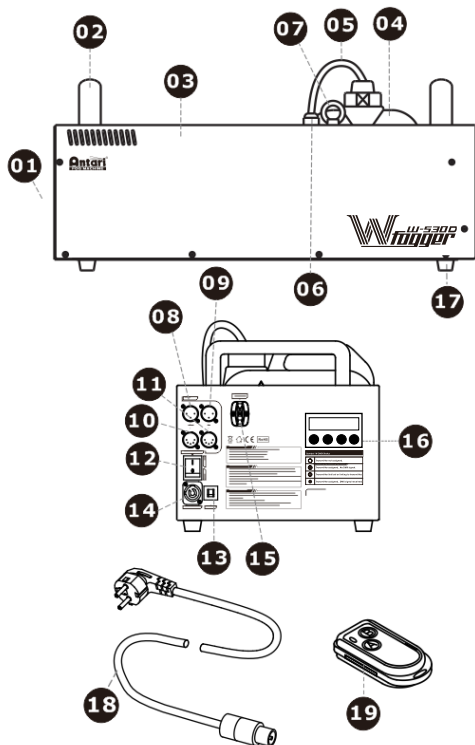
W-515D Bedienelemente

- 01- Düse
- 02- Griff
- 03- Gehäuse
- 04- Tankverschluss & Tank
- 05- PU-Schlauch & Filter
- 06- Schlauchadapter
- 07- Fangseilöse
- 08- DMX-Ausgang
(3-pol.XLR)
- 09- DMX-Ausgang
(3-pol.XLR)
- 10- DMX-Ausgang
(5-pol.XLR)
- 11- DMX-Ausgang
(5-pol.XLR)
- 12- Netzschalter
- 13- Schutzschalter
- 14- Betriebsanzeige
- 15- W-1 / W-DMX Funkempfänger
- 16- Bedienfeld
- 17- Fuß
- 18- Netzkabel
- 19- W-1 Sendeeinheit



W-530D Bedienelemente

- 01- Düse
- 02- Griff
- 03- Gehäuse
- 04- Tankverschluss & Tank
- 05- PU-Schlauch & Filter
- 06- Schlauchadapter
- 07- Fangseilöse
- 08- DMX-Ausgang (3-pol. XLR)
- 09- DMX-Ausgang (3-pol. XLR)
- 10- DMX-Ausgang (5-pol. XLR)
- 11- DMX-Ausgang (5-pol. XLR)
- 12- Netzschalter
- 13- Schutzschalter- 14- Betriebsanzeige
- 15- W-1 / W-DMX Funkempfänger
- 16- Bedienfeld
- 17- Fuß
- 18- Netzkabel
- 19- W-1 Sendeeinheit



Hinweise zur Leistung

Alle Nebelmaschinen bilden um die Austrittsdüse Kondenswasser. Beachten Sie bitte bei der Installation, dass dies zu Flüssigkeitsansammlungen unterhalb der Austrittsdüse führen kann.

Alle Nebelmaschinen können während des Betriebs oder kurz nachdem dem Ausschalten noch geringfügig Nebel ausstoßen.

Alle Nebelmaschinen benötigen nach längerem Dauerbetrieb Betriebspausen, um wiederauf die korrekte Betriebstemperatur zu kommen. Während diesen Pausen ist kein Nebelausstoß möglich.

Reinigung und Wartung

Achten Sie darauf, dass die Nebelflüssigkeit nicht verunreinigt wird. Setzen Sie sofort nach Befüllen des Tanks den Deckel des Tanks sowie des Kanister wieder auf. Reinigen Sie Ihr Nebelgerät regelmäßig, um hohe Kosten für Ersatzteile und Reparaturen zu vermeiden. Nach 40 Betriebsstunden wird empfohlen, das Heizelement mit destilliertem Wasser zu reinigen.

Bitte gehen Sie wie folgt vor:

1. Füllen Sie destilliertes Wasser in den sauberen Tank und stecken Sie den Flüssigkeitsschlauch in den Tank.
2. Betreiben Sie das Gerät in gut belüfteten Räumen, bis der Tank fast leer ist.
3. Reinigen Sie die Maschine mit einem trockenen Tuch. Die Reinigung ist damit abgeschlossen. Füllen Sie den Tank wieder mit Nebelflüssigkeit. Betreiben Sie kurz die Maschine um die Pumpe und die Heizung von der Reinigungslösung zu säubern.

Hinweis:

Alle Nebelmaschinen sind aufgrund der Dickflüssigkeit der Nebelflüssigkeit und der hohen Verdampfungstemperatur anfällig für Verstopfungen. Trotzdem sollte eine regelmäßig gewartete Nebelmaschine Ihnen jahrelang treue Dienste leisten.

Reinigen Sie das Gerät nur mit einem trockenen Tuch. Trocken lagern.

Reinigen Sie die Maschine vor jeder Lagerung. Lagern Sie die Maschine kühl und trocken. Betreiben Sie die Maschine mindestens einmal im Monat. Wir empfehlen Ihnen monatlich ander Maschine einen Testlauf durchzuführen, der aus einer Aufwärmzeit besteht und einigen Minuten Nebelausstoß.

Technische Daten

Modell

Spannungsversorgung

Gesamtanschlusswert

Aufwärmzeit

Fluidverbrauch

Tankinhalt

Kompatible Nebelflüssigkeit

Umgebungstemperaturbereich

Leistung

Steuerung

DMX-Kanäle

Anschluss

Zubehör

Maße

Gewicht

W-515D

US model : AC 100-120V, 50/60Hz 9A

EU model : AC 220-240V, 50/60Hz 4.5A

1500W

10 Minuten (ca.)

100 ml/min

6l (1,59gal)

Antari FLG Nebelflüssigkeit

Antari FLR Nebelflüssigkeit

0°C - 40 °C (32°F-104 °F)

20.000 ft³/min (566 m³/min)

DMX512, Timer,

manuell, W-DMX

1 Kanal

Neutrik Powercon (Power)

XLR 3-pol und 5-pol (DMX)

FX-5 Flightcase

W-515-HB Montagebügel

L561 B278 H265 mm

(L22,09 B10,94 H10,43 inch)

14,5 kg (31,97 lbs)

Modell

Spannungsversorgung	EU model : AC 220-240V, 50 / 60Hz 4.5A
Gesamtanschlusswert	2570W
Aufwärmzeit	12 Minuten (ca.)
Fluidverbrauch	160 ml/min
Tankinhalt	6l (1,59gal)
Kompatible Nebelflüssigkeit	Antari FLG Heavy Fog Nebelflüssigkeit Antari FLR Light Fog Nebelflüssigkeit
Umgebungstemperaturbereich	0 °C - 40 °C (32 °F-104 °F)
Leistung	40.000 ft ³ /min (1133 m ³ /min)
Steuerung	DMX512, Timer, manuell, W-DMX
DMX-Kanäle	1 Kanal
Anschluss	Neutrik Powercon (Power) XLR 3-pol und 5-pol (DMX)
Zubehör	FX-5 Flightcase W-515-HB Montagebügel
Maße	L581 B278 H265 mm (L22,87 B10,94 H10,43 inch)
Gewicht	19,1 kg (42,11 lbs)

Zulassung

Dieses Produkt entspricht der R&TTE-Richtlinie (Radio and Telecommunication Technical Equipment) der Europäischen Union und der Geräteklasse 1. Das Produkt besitzt eine Allgemeinzuteilung in den Staaten der Europäischen Union und ist anmelde- und gebührenfrei. Für den Betrieb in einem anderen Land außerhalb der EU kann es notwendig sein, eine Zulassung bei den nationalen Behörden zu beantragen.



Garantiebestimmungen

Es gilt die gesetzliche Regelung. Antari Lighting and Effect Ltd. gewährt für alle in der Europäischen Union erworbenen und betriebenen Geräte eine Garantiezeit von 2 Jahren ab Kaufdatum. Für alle anderen Länder gilt eine Garantiezeit von 6 Monaten. Innerhalb dieses Zeitraums wird ein defektes Gerät kostenfrei durch den Antari-Händler, bei dem das Gerät erworben wurde, repariert oder ersetzt.

Diese Garantie gilt nicht für Geräte, die entgegen der bestimmungsgemäßen Verwendung eingesetzt wurden oder bei unsachgemäßem Gebrauch und/oder entgegen der Hinweise in der Bedienungsanleitung. Diese Garantie erlischt auch, wenn das Gerät von ungeschulten Personen geöffnet, verändert oder repariert wurde.

Der Betreiber dieses Gerätes ist verpflichtet, die Anweisungen in der Bedienungsanleitung zu beachten und insbesondere die Hinweise zur Reinigung, Pflege und Wartung zu befolgen. In einem Garantiefall ist nebeneiner Fehlerbeschreibung auch eine Kopie des Kaufbeleges beizulegen. Bitte bewahren Sie diese Anleitung gut auf.



Mode d'emploi

Antari W-515D & W-530D

Machine à Fumée

Nous vous félicitons pour l'achat de votre nouvelle machine à fumée Antari

Introduction

Nous vous remercions d'avoir choisi une machine à fumée Antari. Vous êtes en possession d'un produit robuste et puissant. En vue d'utiliser correctement votre nouvel appareil, veuillez lire attentivement le mode d'emploi. Si vous respectez les instructions suivantes, vous profiterez d'une performance solide et convaincante de votre machine à fumée d'Antari pour de nombreuses années.

Pour assurer la longévité et le bon fonctionnement de votre machine à fumée, veuillez lire attentivement les instructions suivantes concernant le maniement, la sécurité et l'entretien.



ATTENTION:

Risques d'Electrocution. Démontez l'alimentation électrique de l'appareil avant de retirer la couverture.

Risques d'Electrocution

- Protéger de l'humidité.
- L'appareil est conçu pour un emploi dans des locaux clos. Ne pas utiliser à l'extérieur.
- Utilisez uniquement des prises de courant à terre à 3 broches. Avant la première mise en marche, assurez-vous que l'appareil soit branché à l'alimentation correcte.
- Débranchez l'appareil avant de remplir le réservoir. Assurez-vous d'installer la machine à fumée toujours droit.
- Mettre la machine hors de service quand vous n'utilisez pas la machine.
- Cette machine est protégée contre les éclaboussures et les projections d'eau. Si de l'humidité, du liquide ou du liquide à fumée devait pénétrer à l'intérieur de l'appareil, débranchez le immédiatement et contactez un technicien ou votre revendeur Antari avant de le réutiliser.
- A l'intérieur de l'appareil, il n'y a aucune partie qui ait besoin d'être révisée. Les travaux d'entretien sont à faire effectuer par votre revendeur Antari ou

par des spécialistes.



Danger d'Incendie

- L'usage de cet appareil n'est prévu que pour les adultes. Installez-le hors de portée des enfants. Ne jamais faire marcher sans surveillance.
- Ne jamais braquer le bec de l'appareil directement sur des personnes.
- Le débit de la machine à fumée est très chaud. Pendant que la machine est en marche, respectez une distance d'environ 50 cm vis-à-vis son bec.
- Faites marcher la machine dans une salle bien aérée jusqu'à ce que son réservoir soit vide. Ne jamais couvrir les orifices d'aération. Pour garantir une aération suffisante, laissez un espace libre de 20 cm tout autour de l'appareil. Ne jamais braquer le bec de la machine sur des flammes.
- Quand le câble secteur de cet appareil est endommagé, il doit être remplacé par un installateur agréé pour éviter des dangers.
- Le bec de la machine devient très chaud (200° C) pendant son fonctionnement. Respectez une distance minimum de 50 cm entre le bec de la machine et les matériaux inflammables.
- Laissez refroidir la machine à fumée d'Antari avant toute manipulation.



Risques d'Explosion

- Ne jamais mélanger des liquides inflammables gazeux ou huileux avec le liquide à fumée.
- Employez uniquement des liquides à fumée de haute qualité à base d'eau recommandée par votre revendeur. D'autres liquides à fumée pourraient causer des problèmes d'encrassement ou des crachotements.
- Faites attention qu'il y ait toujours suffisamment de liquide à fumée dans le réservoir. Un emploi sans liquide pourrait endommager la pompe ou provoquer la surchauffe de l'élément de chauffage.
- Si votre machine à fumée d'Antari ne devait plus fonctionner correctement, éteignez-la immédiatement. Videz complètement le réservoir, emballez le soigneusement (au mieux dans son emballage d'origine) et l'envoyez-le à votre revendeur Antari.
- Toujours vider le réservoir avant d'envoyer ou transporter l'appareil.
- Ne jamais avaler le liquide à fumée. Si c'était tout de même le cas, consultez un médecin immédiatement. En cas de contact avec la peau ou les yeux, rincer à grande eau.

Remarque : Veuillez suivre toute instruction de sécurité appliquée sur le boîtier de votre machine à fumée d'Antari.

Déballage & Inspection

Ouvrez le carton extérieur et assurez-vous que toutes les pièces n'aient subi aucun dommage durant leur transport.

Assurez-vous que le carton d'expédition contient les articles suivants:

1. Une unité de W-515/Dou W-530/Machine à Fumée
2. Câble d'alimentation
3. Une unité de W-1 Transmetteur
4. Mode d'emploi

Servez-vous de la liste des accessoires ci-jointe pour vérifier si votre modèle vous a été livré avec son équipement complet.

En cas de livraison endommagée ou incomplète, toujours contactez immédiatement votre revendeur Antari.

Mise en Marche

- Enlevez tout matériau d'emballage. Assurez-vous d'avoir enlevé toute la mousse et le rembourrage en plastique, sûr tout au bec de la machine. Placez la machine à fumée sur une surface plane et dévissez le couvercle du réservoir du liquide à fumée.
- Insérez le tuyau de liquide dans le réservoir plein. Employez uniquement des liquides à fumée de haute qualité à base d'eau recommandée par votre revendeur. Remplissez le réservoir de liquide à fumée ANTARI/FLRou/FLGou d'un autre liquide à fumée de haute qualité à base d'eau. D'autres liquides à fumée pourraient causer des problèmes d'encrassement ou des crachotements. Refermez le réservoir. Veuillez faire attention de ne jamais dépasser le niveau maximale de liquide.

Opération

Panneau de Contrôle

Le panneau de contrôle intégré est équipé d'un écran LCD qui affiche les différentes étapes du fonctionnement de la machine. Le panneau de contrôle permet de régler les fonctions de la machine en ajustant la durée de la fumée, l'intervalle, la quantité ainsi que la configuration DMX, W-DMX, la fonction sans fil et le détecteur de liquide. Il y a 4 boutons sur le panneau de contrôle. L'écran LCD des paramètres d'utilisation sont automatiquement munis d'une mémoire constante qui permet à la machine de ne perdre aucun réglage des fonctions lorsqu'elle est éteinte.

Après être mis en service, l'écran LCD indique brièvement »Antari W-515D/W-530«. Maintenant, vous pouvez choisir la langue du panneau de contrôle. Appuyez sur le bouton MENU pour changer la langue : de l'anglais au chinois.

Puis l'écran indique »Wireless Detect...« (sans fil detect) pour 15 secondes. Pendant l'intervalle de 15 secondes, l'utilisateur peut enregistrer un ou plusieurs de transmetteurs en pressant le bouton "A" sur chaque transmetteur. Quand la fonction sans fil n'est pas activée, »Wireless Detect...« ne sera pas indiqué.

Puis la machine commence à réchauffer et l'écran LCD indique »Warming Up«. Pendant la phase de chauffe, l'appareil ne peut pas encore dégager de la fumée. Enregistrez vos réglages à l'aide du panneau de contrôle. Quand le temps de préchauffage est terminé, l'émission de fumée est possible. L'écran LCD indique »Ready to Fog«. De plus, l'écran indique »P« pour W-DMX, »W« pour transmetteur sans fil ou »S« pour senseur de liquide quand ces fonctions sont activées.

-Réglage de menu avec le bouton MENU

- Réglage de l'intervalle pour le fonctionnement timer

Appuyez sur le bouton MENU jusqu'à ce que l'écran indique »Interval Set« [réglage de l'intervalle]. Utilisez les boutons UP et DOWN pour ajuster les intervalles entre les dégagements individuels de fumée pour le fonctionnement timer (plage de réglage : 5 à 200 secondes).

- Réglage de la durée pour fonctionnement timer

Appuyez sur le bouton MENU jusqu'à ce que l'écran indique »Duration Set« [réglage de la durée]. Utilisez les boutons UP et DOWN pour ajuster la durée de chaque dégagement de fumée entre 1 à 200 secondes.

- Réglage du volume de fumée pour le fonctionnement timer

Appuyez sur le bouton MENU jusqu'à ce que l'écran indique »Timer Out« [réglage du volume de fumée]. Utilisez les boutons UP et DOWN pour ajuster le volume de fumée pour le fonctionnement timer entre 1 % à 100 %.

- Réglage du volume de fumée pour le fonctionnement continu

Appuyez sur le bouton MENU jusqu'à ce que l'écran indique »Volume Output« [réglage du volume de fumée]. Utilisez les boutons UP et DOWN pour ajuster le volume de fumée pour le fonctionnement continu entre 1 % à 100%.

Pour choisir fumée continu pour le fonctionnement continu, choisissez »NON STOP BURST« sous une valeur de 1 % ou au-dessus d'une valeur de 100 %.

Remarque : Quand vous ajustez le volume de fumée à plus de 30 %, la machine interrompt le dégagement de fumée temps à temps pour réchauffer. Quand vous ajustez »NON STOP BURST«, la machine à fumée ajuste le dégagement de fumée et la température d'élément de chauffe automatiquement et n'interrompt pas le dégagement de fumée.

▪ Réglage de l'adresseDMX512

Appuyez sur le bouton MENU jusqu'à ce que l'écran indique »DMX512 Address: 001« [Réglage de l'adresseDMX512]. Utilisez les boutons UP et DOWN pour régler l'adresseDMXde l'appareil. Veuillez-vousréférer au chapitre sur la configurationDMX512.

▪ Mettant la fonction sans fil en/hors marche

Appuyez sur le bouton MENU jusqu'à ce que l'écran indique »Wireless ON« [sans fil en marche]. Utilisez les boutons UP et DOWN pour désactiver la fonction sans fil (indication »Wireless OFF« et pour réactiver la fonction (indication »Wireless ON«).

▪ Mettant ledétecteur de liquide en/hors marche

Appuyez sur le bouton MENU jusqu'à ce que l'écran indique »FluidSensorSet ON« [détecteur de liquide en marche]. Utilisez les boutons UP et DOWN pour désactiver la détecteur de liquide (indication »Fluid Sensor Set OFF«) et pour réactiver la détecteur (indication »Fluid Sensor Set ON«).

▪ Mettant la fonction W-DMX en/hors marche

Appuyez sur le bouton MENU jusqu'à ce que l'écran indique »W-DMX Power ON« [W-DMX en marche]. Utilisez les boutons UP et DOWN pour désactiver la fonction W-DMX (indication »W-DMX Power OFF« et pour réactiver la fonction (indication »W-DMX Power ON«).

Remarque : Quand la fonction W-DMX est activée, l'écran indique l'état de la connexionpar les symboles suivants.

État du la connexion W-DMX	Symbolesur l'écran
Transmetteur assigné ; signal DMX reçu	●
Transmetteur assigné ; pas de signal DMX	◎
Connexion transmetteur perdue ou Transmetteur connectant	◉
Transmetteur n'est pas assigné	○

▪ Réglage de l'adresse W-DMX512

Quand la fonction W-DMX est activée, appuyez sur le bouton MENU jusqu'à l'écran indique »W-DMX Address: 001«. Utilisez les boutons UP et DOWN pour régler l'adresse DMX.

▪ Réinitialiser la connexion W-DMX

Quand la fonction W-DMX est activée, appuyez sur le bouton MENU jusqu'à ce que l'écran indique »W-DMX Reset OFF« [Réinitialiser la connexion W-DMX horsmarche]. Utilisez les boutons UP et DOWN pour réinitialiser la connexion

W-DMX.

• Démarrage avec fonction dernière en/hors marche

Appuyez sur le bouton MENU jusqu'à ce que l'écran indique »Run Last Setting ON« [démarrage avec fonction dernière en marche]. Utilisez les boutons UP et DOWN pour désactiver la fonction (indication »Run Last Setting OFF«) et pour réactiver la fonction (indication »Run Last Setting ON«).

- Fonctionnement continu

Pour activer le mode continu, appuyez sur le bouton Volume. En mode continu, l'appareil dégage tout le temps de la fumée. L'écran indique »Volume Output« et la valeur ajustée ou NONSTOPBURST [fumée continu] au menu "Volume Output" [réglage du volume de fumée]. Pour désactiver le débit de fumée, appuyez sur le bouton STOP.

Remarque : Quand vous ajustez le volume de fumée à plus de 30 %, la machine interrompt le dégagement de fumée temps à temps pour réchauffer. Quand vous ajustez »NONSTOPBURST«, la machine à fumée ajuste le dégagement de fumée et la température d'éléments de chauffe automatiquement et n'interrompt pas le dégagement de fumée.

- Fonctionnement timer

En mode timer, l'appareil dégage automatiquement de la fumée. Les intervalles, la durée et le volume de fumée dépendent des paramètres individuels du menu. Pour activer le mode timer, appuyez sur le bouton Timer. L'écran indique alors l'intervalle ajusté et l'appareil compte les secondes à partir de 0. Pour désactiver le mode timer, appuyez sur le bouton STOP.

W-1 Contrôleur sans fil

Le contrôleur sans fil W-1 compose d'un transmetteur avec deux boutons pour activer le débit de fumée et un récepteur fixé au dos de chaque modèle de la série W.

* Transmetteur:



Avec le transmetteur, il est possible de débiter de fumée dans un rayon d'action de 50 mètres. Le transmetteur est compatible avec chaque récepteur de la série W et peut contrôler des machines illimitées en même temps.

Pour dégager la fumée, appuyez sur le bouton "A". Le volume de fumée dépend de l'ajustement sous l'entrée de menu »Volume Output« [réglage du volume de fumée]. L'écran indique »Volume« et la valeur ajustée ou Nonstop Burst quand fumée continue est ajustée. Comme contrôle additionnel, la LED bleue est allumée. Pour désactiver le débit de fumée, appuyez sur le bouton "B".

*** Récepteur :**



Le récepteur est testé et fixé au dos de chaque modèle de la série W. S'il vous plaît ne pas essayer de le détacher. Le récepteur réagit à jusqu'à 5 transmetteurs différents enregistrés avec la machine. Le transmetteur inclus est enregistré avec la machine avant la livraison. Il est possible de l'utiliser directement sans réglage initial.

- Register transmitters

Pour le fonctionnement de la machine avec un transmetteur différent comme livré, ou avec jusqu'à 5 transmetteurs différents, chaque transmetteur doit être enregistré séparément. Veuillez mettre la machine en service. Quand l'écran indique »Wireless Detect...« [réglage sans fil], pressez le bouton "A" 1 seconde sur chaque transmetteur. Les transmetteurs avant sont éteints de la mémoire du récepteur. L'ajustement doit être fini dans 15 secondes.

Quand vous ne registrez pas d'un transmetteur quand la machine est mise en service, la mémoire du récepteur contient l'opération avant.

Ajuster exemple 1 :

Veuillez mettre la machine en service pour enregistrer un ou plusieurs de transmetteurs. Quand l'écran indique »Wireless Detect...«, pressez le bouton "A" 1 seconde sur chaque transmetteur entre 15 secondes pour commencer la transmission du signal.

Ajuster exemple 2 :

Pour utiliser un transmetteur pour contrôler deux ou plus machines, veuillez mettre les machines en service au même moment. Quand l'écran indique »Wireless Detect...«, pressez le bouton "A" 1 seconde sur le transmetteur entre 15 secondes pour commencer la transmission du signal.

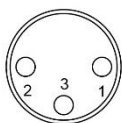
- Change the battery of the transmitter

Quand le rayon d'action du transmetteur cesse, la pile est probablement vide et doit être remplacée. Veuillez ouvrir le couvercle et retirer la pile vide. Insérez

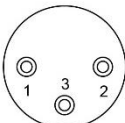
une pile nouveau 12 V, type 27A comme indiquerdans le compartiment de pile et remplacezle couvercle.

Configuration de la connexionDMX

La machine possède fichesXLR3 pôles et 5 pôles pour connecter un contrôleurDMX. Le graphique ci-dessous montre la configuration des fiches



3 pin XLR



5 pin XLR

Contact	Fonction
1	Masse
2	Signal-
3	Signal+

RéglagesDMX512

Canal A



0 à 5 = arrêt (aucun dégagement de fumée)

6 - 255 = réglage de débit (1 - 100 % débit)

Toutes les modèles comportent un systèmeDMX512. Pour connecter un contrôleurDMX, les raccordsXLR3 pôles etXLR5 pôles se trouvent au derriere du chaque appareil. L'appareil a un canal de contrôle pour le réglage du débit de fumée. Le canal varie entre les valeursDMX0 à 255. Après avoir connecté un contrôleurDMX, des fonctions Timer comme la durée de fumée et intervalle peuvent être programmés par le contrôleurDMXou par le logicielDMXvia la fenêtre d'effets lumineux. L'appareil ne peut plus contrôler grâce au panneaude contrôle intégré ou le contrôleur sans fil W-1. En utilisant le protocoleDMX, les machines de fumée, les effets lumineux, et les autres appareils des effets spéciaux peuvent être connectés entre eux et contrôles facilement.

Entre les valeurs 0 et5, la machine est en arrêt.

Entre les valeurs 6 et255, le débit de fumée est réglé. Dans ce contexte, la valeur 6 concerne le débit de fumée minimal et 255 concerne le débit de fumée maximal. Le débit de fumée augmente avec une valeurDMXaccroissant.

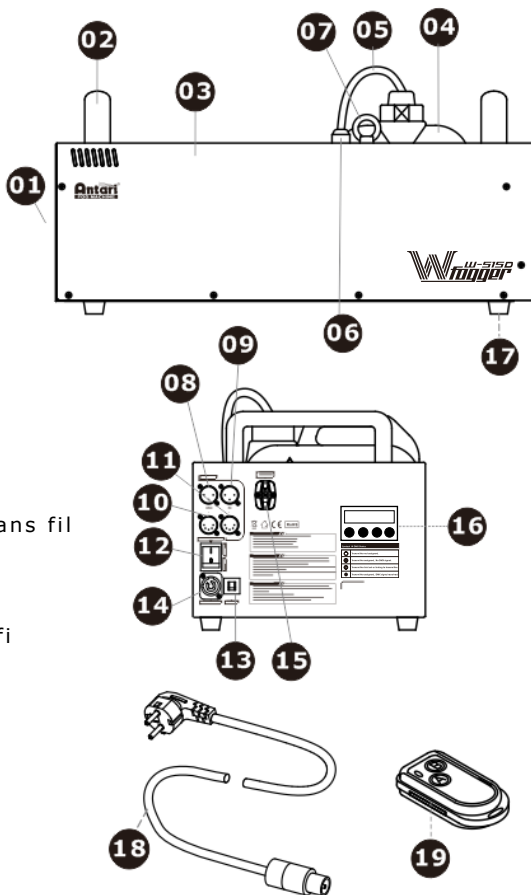
Remarque : S'ilvous plaît faites attention que si la machine était codée sur l'adresse initialeDMX124 dans l'exemple en haut, le canal A correspond exactement à cette adresse initialeDMX.

Remarque :

Si vous constatez un débit trop faible, un bruit de la pompe ou un manque total de fumée, débranchez immédiatement votre machine. Vérifiez le niveau de liquide, le fusible externe, la connexion à la télécommande et l'alimentation au secteur. Si tout apparaît être correct, branchez de nouveau. S'il n'y a aucune production de fumée après que vous avez pressé le bouton de la télécommande pendant 30 secondes, vérifiez si le liquide passe par le disperser qui est attaché au réservoir. Si vous n'arrivez pas à déterminer la cause du problème, ne continuez pas à presser le bouton de la télécommande. Cela pourrait endommager votre machine. Retournez la machine à votre revendeur Antari.

W-515D ÉlémentsetBranchements

- 01- Bec
- 02- Bras
- 03- Boîtier
- 04- Couvercle du réservoir et réservoir
- 05- Tuyau PC et filtre
- 06- Adapter de tuyau
- 07- Œillet de sécurité
- 08- Sortie DMX (XLR 3 pôles)
- 09- Entrée DMX (XLR 3 pôles)
- 10- Sortie DMX (XLR 5 pôles)
- 11- Entrée DMX (XLR 5 pôles)
- 12- Commutateur secteur
- 13- Disjoncteur
- 18- Douille d'alimentation
- 15- W-1/W-DMX récepteur sans fil
- 16- Panneau de contrôle
- 17- Pied
- 19- W-1 Transmetteur sans fi



W-530D ÉlémentsetBranchements

01- Bec

02- Bras

03- Boîtier

04- Couvercle du
réservoir et réservoir

05- Tuyau PC et filtre

06- Adapter de tuyau

07- Cœillet de sécurité

08- Sortie DMX
(XLR 3 pôles)

09- Entrée DMX
(XLR 3 pôles)

10- Sortie DMX
(XLR 5 pôles)

11- Entrée DMX
(XLR 5 pôles)

12- Commutateur secteur

13- Disjoncteur

18- Douille d'alimentation

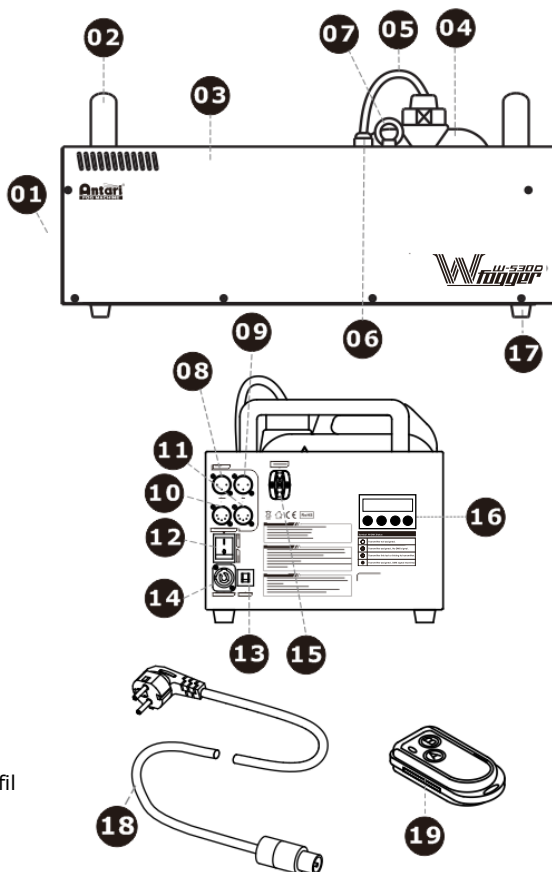
15- W-1/W-DMX récepteur sans fil

16- Panneau de contrôle

17- Pied

18- Câble d'alimentation

19- W-1 Transmetteur sans fil



Remarques de fonctionnement

Toutes machines à fumée dégagent une condensation autour de son bec de sortie qui pourrait mener à une accumulation d'humidité au-dessus de l'appareil. Prenez cela en considération lors du choix de l'emplacement de votre appareil. Pendant son fonctionnement ou quelque temps après, il se peut de temps à autre qu'une machine à fumée débite spontanément de la fumée. Après une utilisation continue toutes machines à fumée à besoin de pauses de fonctionnement pour garder une température correcte. Pendant la phase de chauffe, l'appareil ne peut pas encore dégager de la fumée.

Nettoyage et Maintenance

Faites toujours attention de ne pas polluer le liquide à fumée. Après l'avoir rempli de liquide à fumée, refermez toujours immédiatement les couvercles du bidon de liquide et du réservoir de la machine. Nettoyer la machine régulièrement pour éviter des frais de réparation et parties de rechange. Après une utilisation continue de 40 heures, il est recommandé de procéder à un nettoyage de l'appareil pour éviter une accumulation de résidus dans l'élément de chauffage avec de l'eau distillée.

Pratiquez le nettoyage de la manière suivante :

1. Insérez l'eau distillée dans le réservoir propre et insérez le tuyau d'liquide dans le réservoir.
2. Faites marcher la machine dans une salle bien aérée jusqu'à ce que son réservoir soit vide.
3. Nettoyez le boîtier de la machine seulement avec un chiffon sec. Le nettoyage est accompli. Remplissez la machine de liquide à fumée. Veuillez mettre la machine en service courtement pour nettoyer la pompe et le bloc de chauffage.

Remarque : Dû à la consistance visqueuse du liquide à fumée et à la haute température avec laquelle la fumée s'évapore, toutes les machines à fumée ont tendance à encrasser. L'entretien régulier de la machine garanti cependant son usage solide pour de nombreuses années.

Nettoyez le boîtier de la machine seulement avec un chiffon sec. L'appareil est à stocker au sec.

Nettoyer l'appareil après de stocker. L'appareil est à stocker au sec. Nous recommandons de contrôler la machine mensuellement. C'est constitué du temps de chauffage et du débit de fumée de quelques minutes.

Caractéristiques Techniques

Modèle

Alimentation

Puissance de rendement

Temps de chauffage

Consommation de liquide

Contenu du réservoir

Liquide compatible

Température ambiante

Contrôle

Caneaux DMX

Connexion

Accessoires

Dimensions

Poids

W-515D

US model : AC 100-120V, 50/60Hz 9A

EU model : AC 220-240V, 50/60Hz 4.5A

1500W

env. 10 m³/min.

100 ml/min

6l (1.59gal)

Antari FLG Heavy Fog Fluid

Antari FLR Light Fog Fluid

0°C - 40 °C (32°F-104 °F)

DMX512, timer, manuellement, sans fil, W-DMX

1 canal

Neutrik Powercon (alimentation)

XLR 3 pôles et 5pôles (DMX)

FX-5 Flightcase

W-515-HB Lyre de fixation

L561 I278 H265 mm

(L22.09 I10.94 H10.43 inch)

14.5 kg (31.97 lbs)

Modèle

Alimentation

Puissance de rendement

Temps de chauffage

Consommation de liquide

Contenu du réservoir

Liquide compatible

Température ambiante

Contrôle

Caneaux DMX

Connexion

Accessoires

Dimensions

Poids

W-530D

EU model : AC 220-240V, 50 / 60Hz 4.5A

2570W

env. 12 m³/min.

160 ml/min

6l (1.59gal)

Antari FLG Heavy Fog Fluid

Antari FLR Light Fog Fluid

0 °C - 40 °C (32 °F-104 °F)

DMX512, timer, manuellement, sans fil, W-DMX

1 canal

Neutrik Powercon (alimentation)

XLR 3 pôles et 5pôles (DMX)

FX-5 Flightcase

W-515-HB Lyre de fixation

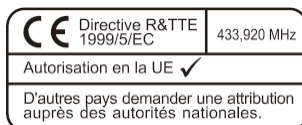
L581 I278 H265 mm

(L22.87 I10.94 H10.43 inch)

19.1 kg (42.11 lbs)

Admission

Ce système sans fil être testé et autorisé dans l'Union européenne selon les termes de la directive R+TTE. En laUE, le système sans fil possède une autorisation générale et ne nécessite pas de déclaration spécifique. Dépendant de pays d'opération, il peut cependant être nécessaire de demander une attribution des fréquences auprès des autorités nationales.



Garantie

La garantie estvalideseulement si l'appareil est acheté d'un distributeur ou revendeur autorisé par Antari. Pour un servicecouvert par la garantie, expédiez-vousl'appareil seulement à un distributeur ou revendeur autorisé.

Si l'appareil estmodifiéde quelque manière, si l'entretien et les réparations sont effectués par du personnel de service incompetent, ou si le produit est utilisé autrement que décrit dans ce mode d'emploi, ceci peut causer des dommages au produit et la garantie cesse alors.

Ce n'est pas uncontratd'entretien et de maintenance et ne comprends pas des services. Toutes pièces d'usures ne sont pas couvertespar la garantie.

Garanties additionnelles proposent selon la discrétion du distributeur ou du revendeur demeurent l'obligation unique du distributeur ou du revendeur.

Quand vous contactez votre revendeur pour l'information ou l'assistance, toujours citez le code barre etlemodèle de l'appareil.

Lisez et gardezces instructions.



W-515D & W-530D 煙霧機 使用說明書

恭喜您成為 ANTARI W 無線系列煙霧機的使用者

感謝您選用 Antari 煙霧機產品，現在您已經擁有高科技的專業煙霧機，在開始使用之前，我們建議您先仔細閱讀本說明書，遵循使用手冊中的說明，這會有助於您在使用 Antari 煙霧機時得心應手，達到最滿意的煙霧效果，對於機器的使用壽命也更為延長。



特別注意:

請在連結電源之前，先填裝好煙霧油，機器使用完畢及搬運前，請先確認清空煙霧油桶。

避免觸電的安全使用方式

- 請保持機器乾燥，僅於室內使用，本產品非為室外使用所設計。
- 使用前請小心判定電壓級數，伏特及機型，當使用所有電壓規格的機種請應配合接地型插座使用。
- 填充煙霧油至油桶前，請先拔掉插頭。
- 請保持機器橫放，勿傾斜放置。
- 不使用時請關機，長時間不使用時請拔掉插頭
- 本產品之設計為不防水，遇潮濕或浸水或煙霧油滲出時請即刻拔掉插頭並擦乾，在下次使用前，聯絡技術人員或 Antari 的代理商檢修。
- 本包裝中未附維修零件，敬請聯繫 Antari 代理商，或洽詢合格技術人員。

避免燃燒的安全使用方式

- 機器內部並無一般使用者可變動之結構，請勿任意打開上蓋及作任何更改的動作，否則可能造成起火的危險！
- 機器僅限成人使用，安裝煙霧機之地點應避免兒童可及之處，請於外出離去時確實關閉電源。
- 請勿將機器噴嘴對著人體及動物直射。
- 煙霧機所產生的煙霧溫度較高，機器運作時，請遠離噴嘴 50CM 以上。
- 請將煙霧機放置於通風良好的地方，請勿遮蓋機器散熱部分，為確保適度通風，機器的上方及周圍請預留 20CM 空間。
- 請勿將機器噴嘴對準火焰。
- 當機器運作時，噴嘴輸出部分之溫度高達攝氏 200 度，請將任何物品放置離機器 50CM。
- 從事清潔、維護及收納機器時，請先確認機器已經完全冷卻。

避免爆炸的安全使用方式

- 請勿將任何可燃性液體(例如油脂、瓦斯、香水)·放置於煙霧油桶中·並請使用前詳細閱讀說明書。
 - 請使用代理商所推薦的 Antari 高品質 FLR / FLG 水性煙霧油·任意使用其他煙霧油產品·可能導致堵管現象甚至造成內部零件腐蝕。
 - 請確認煙霧油桶中有足夠的煙霧油·以免造成煙霧機幫浦空轉過熱。
 - 若您的 Antari W-515D / W-530D 機器有任何不當運轉情況時·請即刻停止使用·倒出煙霧油·機器冷卻後·仔細包好本產品(建議以原包裝)送至代理商或經銷商處維修。
 - 請記得在運送或郵寄本產品前·確定完全傾倒出所有在油桶中的煙霧油。
 - 煙霧油不能飲用·誤飲時·如有任何不適請立即就醫·若不甚接觸眼睛·請即刻以水清洗。
- 建議:** 在使用本機器之前·詳細的閱讀一次印刷在機器上蓋板及後背板的警語標示

拆除包裝及檢視機器

請打開包裝確認機器運作的所有設備齊全·請參考配置圖·確認您所購買的機型應包括之項目·倘若有任何缺少任何項目·請即刻聯絡 Antari 經銷商。機器出廠時應包含以下物件:

1. 1 台 W-515D 或 W-530D 煙霧機
2. 1 條電源線
3. 1 個 W-1 無線控制器
4. 1 本使用說明書

在開始安裝機器之前·請先確認本產品未因運送過程造成外部的損壞·若機器外殼·控制器或電源線有任何損壞·請勿插上插頭·並請勿使用·馬上與 Antari 代理商或經銷商聯繫。

機器的安裝

- 拆開包裝·小心的移除所有的包材墊片·特別是機器噴嘴的部分。
- 將煙霧機放置於平坦表面·取下裝置煙霧油容器的蓋子。
- 連結油管與機器。
- 請使用 ANTARI 代理商所推薦的高品質·水性煙霧油。
- W-515D 與 W-530D 機器只能添加 ANTARI 煙霧油 FLR 或 FLG 來運作·其他任何不屬於 ANTARI 煙霧油會造成機器的堵管與損壞。
- 請注入 Antari FLR 或 FLG 煙霧油至八分滿·並仔細蓋上油蓋。

機器操作

- 控制面板操作說明

機器的後背板上有內建的 LCD 控制面板，顯示煙霧機所有的操作狀態。透過此控制面板，使用者可以自行調整煙霧的持續輸出時間、間隔時間及輸出量，也可設定 DMX512 與 W-DMX 的位址、無線控制功能及流量偵測功能。控制面板上共有 4 個按鍵，分別是[MENU], [▲ / TIMER], [▼ / VOLUME]及[STOP]。所有設定執行的參數會自動儲存至非揮發性記憶體中，機器不會因為斷電而遺失相關設定數值。

接上電源後，螢幕會顯示»Antari W-515D/W-530D«。此時，使用者可以按住[MENU]按鍵約 2 秒鐘，來切換不同的語言介面(English 英文/Chinese 中文)。

螢幕顯示軟體版本的資訊後，會顯示 »AC Voltage AC-XX0V X0Hz«。此時使用者可以按住 [MENU]約 2 秒鐘來切換電壓(100V, 110V, 120V, 220V, 230V 及 240V)。

設定完畢後，螢幕接著顯示»Wireless Detect...«。此訊息會持續顯示約 15 秒鐘。此時使用者可以按下 W-1 無線控制器上的 A 鍵來進行對頻。請注意，無線功能未啟動時，機器不會顯示此訊息。

接著機器開始加熱，螢幕上會顯示»Warming Up«。當機器正在加熱時，機器還未能正常噴煙。此時請使用控制面板設定相關數值。當機器加熱完成後，機器可開始噴煙，此時螢幕會顯示»Ready to Fog«。處於待機狀態時，W-DMX、無線控制功能及油量偵測的狀態會在 LCD 控制面板表示如下：

- W-DMX 功能開啟時，螢幕會顯示會»Ready to Fog P«
- 無線控制功能開啟時，螢幕會顯示會»Ready to Fog W« (Wireless)
- 流量偵測功能啟動時，螢幕會顯示會»Ready to Fog S« (Sensor)

- 利用[MENU]按鍵來設定控制清單

▪ 設置定時模式下的煙霧輸出間隔

按[MENU]按鍵，直到螢幕顯示 »Interval Set«。使用[▲ / TIMER] 及 [▼ / VOLUME] 來設置定時模式下，每次煙霧輸出的間隔時間。設定的範圍是 5 至 200 秒。

▪ 設置定時模式下的煙霧持續輸出時間

按[MENU]按鍵，直到螢幕顯示»Duration Set«。使用[▲ / TIMER] 及 [▼ / VOLUME] 來設置定時模式下，煙霧持續輸出的時間。設定的範圍是 1 至 200 秒。

▪ 設置定時模式下的煙霧輸出量

按[MENU]按鍵，直到螢幕顯示»Timer Output«。使用[▲ / TIMER] 及 [▼ / VOLUME] 來設置定

時模式下的煙霧輸出量。設定的範圍是 1 %至 100 %。

• 設置煙霧持續輸出時的煙霧輸出量

按 [MENU] 按鍵，直到螢幕顯示 »Volume Output«。使用 [▲ / TIMER] 及 [▼ / VOLUME] 來設置持續輸出設定下的煙霧輸出量。設定的範圍是 1 %至 100 %。

若要設定機器執行煙霧持續輸出模式，請選取 »NON STOPBURST«。此功能為在 1%與 100%煙霧量之間，無間斷的連續噴煙功能。

注意：

當煙霧輸出量設定高於 30%並持續輸出時，煙霧機有時候自己暫停動作來重新加熱。當選取 »NONSTOPBURST«時，機器會自動調整輸出量及電熱管的溫度，不會暫停動作來重新加熱。

• 設置 DMX512 位址

按 [MENU] 按鍵，直到螢幕顯示 »DMX512 Address: 001«。使用 [▲ / TIMER] 及 [▼ / VOLUME] 來設置機器在您的 DMX 512 控制台上的位址。若需更多的相關資訊，請參考 DMX512 設定說明的章節。

• 啟動或關閉無線控制功能

按 [MENU] 按鍵，直到螢幕顯示 »Wireless ON«。使用 [▲ / TIMER] 及 [▼ / VOLUME] 來關閉 (螢幕顯示 »Wireless OFF«) 或開啟 (螢幕顯示 »Wireless ON«) 無線功能。

• 啟動或關閉流量偵測功能

按 [MENU] 按鍵，直到螢幕顯示 »Fluid Sensor Set ON«。使用 [▲ / TIMER] 及 [▼ / VOLUME] 來關閉 (螢幕顯示 »Fluid Sensor Set OFF«) 或開啟 (螢幕顯示 »Fluid Sensor Set ON«) 流量偵測功能。

• 啟動或關閉 W-DMX 功能

按 [MENU] 按鍵，直到螢幕顯示 »W-DMX Power ON«。使用 [▲ / TIMER] 及 [▼ / VOLUME] 來關閉 (螢幕顯示 »W-DMX Power OFF«) 或開啟 (螢幕顯示 »W-DMX Power ON«) W-DMX 功能。

請注意：

當 W-DMX 功能啟動時，以下表示連接狀態的符號將會顯示在螢幕上。

W-DMX 連接狀態	LCD 螢幕顯示符號
無線發射器已對頻，接收到 W-DMX 訊號	●
無線發射器已對頻，但沒有接收到 W-DMX 訊號	◎
無線發射器連接遺失/正在與發射器對頻	◉
沒有和任何無線發射器對頻	○

• 設置 W-DMX 512 位址

當 W-DMX 功能啟動後，請按 [MENU] 按鍵，直到螢幕顯示 »W-DMX Address: 001«。使用 [▲ / TIMER] 及 [▼ / VOLUME] 來設置機器在 W-DMX 控台上的位址。

• 重設 W-DMX 連接

當 W-DMX 功能啟動後，請按 [MENU] 按鍵，直到螢幕顯示 »W-DMX Reset OFF«。使用 [▲ / TIMER] 及 [▼ / VOLUME] 來開始重設連接：取消之前連接的 W-DMX，和新的 W-DMX 連接。一旦重新連結完成，螢幕會再次顯示 »W-DMX Reset OFF«。

• 啟動/關閉最後設定功能

按 [MENU] 按鍵，直到螢幕顯示 »Run Last Setting ON«。使用 [▲ / TIMER] 及 [▼ / VOLUME] 關閉(螢幕顯示 »Run Last Setting OFF«)或啟動(螢幕顯示 »Run Last Setting ON«)最後設定功能。

- 煙霧持續輸出操作說明

按 [VOLUME] 按鍵，啟動無間斷的連續噴煙功能。螢幕會顯示 »Volume Output« 後接在 »Volume Output« 清單下所設定之數值。或者當機器設定了不間斷的煙霧輸出功能，螢幕則會顯示 »NONSTOPBURST«。若要停止輸出煙霧，請按下 [STOP] 按鍵。

請注意:

當煙霧輸出量設定高於 30% 並持續輸出時，煙霧機有時候自己暫停動作來重新加熱。當選取 »NONSTOPBURST« 時，機器會自動調整輸出量及電熱管的溫度，不會暫停動作來重新加熱。

- 定時模式操作說明

在定時模式下，機器會自動噴煙。間隔時間、噴煙時間以及煙霧輸出量依據清單中所設定的數值運作。按下 [▲ / TIMER] 啟動定時模式。螢幕會顯示噴煙間隔時間，機器會倒數計時至 0 再噴煙。若要離開定時模式，請按下 [STOP] 按鍵。

Antari W-515D & W-530D 無線控制器使用說明

*發射器：

-發射器: 使用 DC12V 電池

-接收距離: 在無障礙物的開放空間，有效距離維 50 公尺。

實際狀況根據障礙物多寡，保守距離約為 10-25 公尺。

-發射器都可與任和一台 W 系列接收器搭配使用。

*** W-1 無線發射器:**



*** 接收器:**

- 接收器在經過測試之後會固定在每台 W 系列的機器後板上，請勿嘗試將它拔除。



- 設定功能

1. 所有的接收器都能接收任何已完成對頻的發射器。
2. 每個接收器都能記憶五組發射器的訊號。
3. 每個發射器在出廠都已經完成設定，使用者可以不用重新設定即可使用。最初的設定為按 A 鍵可以啟動機器，按 B 鍵則可以停止機器運作。
4. 若使用者希望透過其他發射器來控制機器(除了原來配備的發射器之外)，需要在機器啟動的 15 秒內完成對頻，否則機器會在 15 秒之後自動離開設定模式。
5. 機器具有記憶功能，若在機器啟動也完成設定之後，沒有再設定其他組控制器時，機器可自動記憶最後設定的控制器組，在機器下次使用開機時，請勿按壓任何控制器的按鍵，經過 15 秒的設定時間之後，即可以上次所記憶的控制器來控制機器。
6. 請注意，當有新的控制器要與機器對頻時，無論先前的幾組完設定的控制器都會被洗掉。

設定範例 1:

若使用者希望將多個 W-1 無線發射器與 1 台煙霧機對頻，當機器啟動，LCD 螢幕顯示
»Wireless Detect...<時，在 15 秒內分別按下每個 W-1 無線發射器上的 A 鍵，即可完成對頻。

設定範例 2:

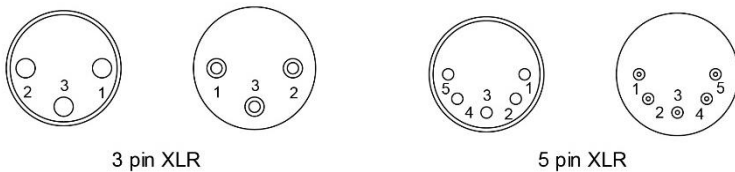
若使用者想用一個 W-1 無線發射器配對 2 台或多台煙霧機，可將希望控制的機器同時打開電源，當螢幕顯示»Wireless Detect...«時，在 15 秒內按下 W-1 發射器上的 A 鍵，來完成對頻。

- 更換 W-1 無線發射器電池

如果無線控制器的有效控制距離縮短，可能是電池的電力不足，需要更換。請將 W-1 無線發射器背後的三個螺絲旋開，打開背蓋取出使用過的電池，使用同樣是 27A/12V 的電池更換。

DMX 連接 PIN 點說明

本機可提供 3 Pin 或 5 pin XLR 的 DMX 連接選擇。下方為 Pin 的接點說明：



3 pin XLR

5 pin XLR

Pin	功能
1	接地
2	數據-
3	數據+

DMX512 設定說明

頻道說明 A



0 - 5 = off / 關 (無煙霧輸出)

6 - 255 = output volume control 調整煙霧輸出量 (輸出量 1 - 100 %)

W-515D 與 W-530D 皆已內建 DMX512 功能。在機器的後板上配有 3PIN 與 5PIN 的 DMX 訊號輸出/輸入端。W-515D / W-530D 只佔用一個控制通道來控制煙霧輸出量，每一個頻道的數值範圍在 0 ~ 255 之間。連接 DMX 控制台後，定時模式的煙霧輸出時間、間隔都可由 DMX 控制台控制。接上 DMX 控制台後，機器就不可透過內建的控制面板或 W-1 無線控制器操控。透過使用 DMX 控制台，使用相同的系統您可以輕易的連接煙霧機、燈光、其他的特效機器進行全系統的演出。

如果頻道 A 的設定數值在 0 ~ 5 之間，此機器將無法有足夠的輸出量運作。

煙霧輸出量的設定數值在 6 到 255 之間，機器能起蕩的最小輸出量從 6%開始，在達到 255 時，煙霧輸出量會提升到最大值。隨著 DMX 值的升高，煙霧輸出量也會隨之增大。

附注: 從以上的說明舉例：如果煙霧機被分派到第 124 的 DMX 位址，頻道 A 的功能運作將完全符合第 124 頻道的控制要求。

註：

倘若發生煙霧量過少、機器運轉時產生噪音或無法順暢噴煙的動作，請立即拔掉插頭，檢查是否有足夠的煙霧油、外部保險絲、控制器連結、電源等處，若以上皆無問題，再插上插頭，若持續無法正常運作，請檢查連接煙霧油桶的管子是否順暢，有無液體流通，若無法辨識原因，請勿繼續讓機器運轉，以免損壞機器，應立即關機冷卻，並將機器送至 Antari 代理商貨指定的服務處檢視，請勿自行拆卸。

W-515D 外觀說明

01-噴嘴

02-把手

03-機身主體

04-油桶及油桶蓋

05-PU 管與濾嘴

06-油管轉接頭

07-安全吊環

08- DMX 訊號輸出端
(3 Pin XLR DMX 接頭)

09- DMX 訊號輸入端

(3 Pin XLR DMX 接頭)

10- DMX 訊號輸出端

(5 Pin XLR for DMX)

11- DMX 訊號輸入端

(5 Pin XLR for DMX)

12-電源開關

13-復歸式保護開關

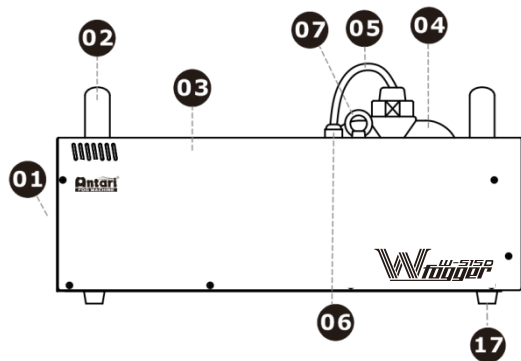
14-電源插座

15-W-1 / W-DMX 無線訊號接收器

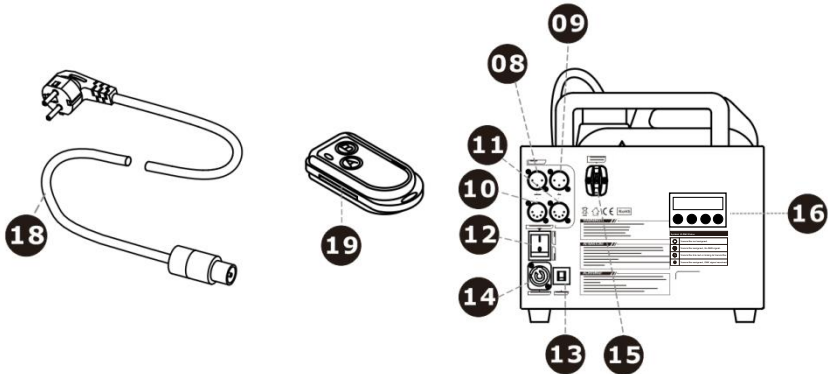
16-控制面板

17-腳墊

18-電源線

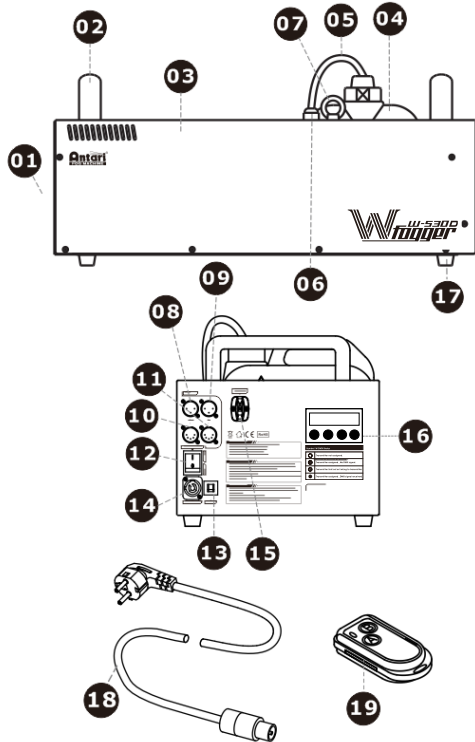


19-W-1 無線控制器



W-530D 外觀說明

- 01-噴嘴
- 02-把手
- 03-機身主體
- 04-油桶與油桶蓋
- 05-PU 管與濾嘴
- 06-油管轉接頭
- 07-安全吊環
- 08-DMX 訊號輸出端
(3 Pin XLR for DMX)
- 09-DMX 訊號輸入端
(3 Pin XLR for DMX)
- 10-DMX 訊號輸出端
(5 Pin XLR for DMX)
- 11-DMX 訊號輸入端
(5 Pin XLR for DMX)
- 12-電源開關
- 13-復歸式保護開關
- 14-電源插座
- 15-W-1 / W-DMX 無線訊號接收器
- 16-控制面板
- 17-腳墊
- 18-電源線
- 19-W-1 無線控制器



機器注意事項

1. 所有的煙霧機在噴嘴的地方都會有煙油的凝結，因為這會導致濕氣累積在噴嘴下方的表面，所以請在安裝機器時，將凝結的問題考慮進去。
2. 所有的煙霧機在操作時，每隔幾分鐘會噴出微量的煙霧，即使在關機後仍有一小段時間，機器會噴出微量的煙霧。
3. 所有煙霧機在長時間噴煙之後，會自己暫時停止動作來準備重新加熱，在重新加熱期間，無法執行噴煙動作。

清潔與收藏

請勿讓煙霧油受到雜質污染，每次添完油之後請馬上蓋好油桶蓋。定期的清潔與保養您的機器，可以將零件的損壞率減至最低，並節省維修成本。在使用超過 40 個小時之後，建議您可以使用蒸餾水，依循以下步驟來清潔電熱管：

清潔的步驟如下：

1. 在油桶中倒進蒸餾水，然後將連接油桶與機器的油管接上。
2. 在通風的地方啟動機器，直到油桶內的清水幾乎使用完畢。
3. 請使用乾淨的棉布擦拭機器，到此清潔的步驟結束。之後請重新添加煙霧油，啟動機器讓它運作一段時間來清除殘餘在幫浦與電熱管上的煙油。

注意：所有的煙霧機經常因為使用濃稠的煙霧油而導致阻塞，無論如何，正確的使用方法與清潔可以增加機器的使用年限。

請使用乾棉布擦拭，並在儲藏前保持乾燥。

機器使用完畢後，請在儲藏前擦拭乾淨。請將機器儲藏在乾燥陰涼處。每個月請至少運作機器一次，讓機器加熱然後執行噴煙動作幾分鐘。

機器規格

型號	W-515D	W-530D
- 電壓	美規 : AC 100-120V, 50 / 60Hz 9A 歐規 : AC 220-240V, 50 / 60Hz 4.5A	歐規 : AC 220-240V, 50 / 60Hz 4.5A
- 額定功率	1500 瓦	2570 瓦
- 加熱時間	(約) 10 分鐘	(約) 12 分鐘
- 耗油量	100 毫升/分鐘	160 毫升/分鐘
- 油桶容量	6 公升 (1.59 加侖)	6 公升 (1.59 加侖)
- 適用煙霧水	Antari FLG 濃煙霧水(淡綠色) Antari FLR 淡煙霧水(淡紅色)	Antari FLG 濃煙霧水(淡綠色) Antari FLR 淡煙霧水(淡紅色)
- 適用環溫	0°C - 40 °C (32°F-104 °F)	0 °C - 40 °C (32 °F-104 °F)
- 控制方式	DMX512, 定時控制, 手動控制, 無線控制, 無線 DMX	DMX512, 定時控制, 手動控制, 無線控制, 無線 DMX
- DMX 頻道	佔用 1 頻道	佔用 1 頻道
- 連接座	Neutrik Powercon (主電源) XLR 3-pin 及 5-pin (DMX)	Neutrik Powercon (主電源) XLR 3-pin 及 5-pin (DMX)
- 選擇性配件	FX-5 飛行箱 W-515-HB 吊架	FX-5 飛行箱 W-515-HB 吊架
- 尺寸	長 561 寬 278 高 265 公釐 (長 22.09 寬 10.94 高 10.43 英寸)	長 581 寬 278 高 265 公釐 (長 22.87 寬 10.94 高 10.43 英寸)
- 重量	14.5 公斤 (31.97 lbs)	19.1 公斤 (42.11 lbs)

保固條款

保固條款僅適用於 Antari 授權之代理商所出售的產品。請直接將產品寄回 Antari 授權的代理商或經銷商維修。

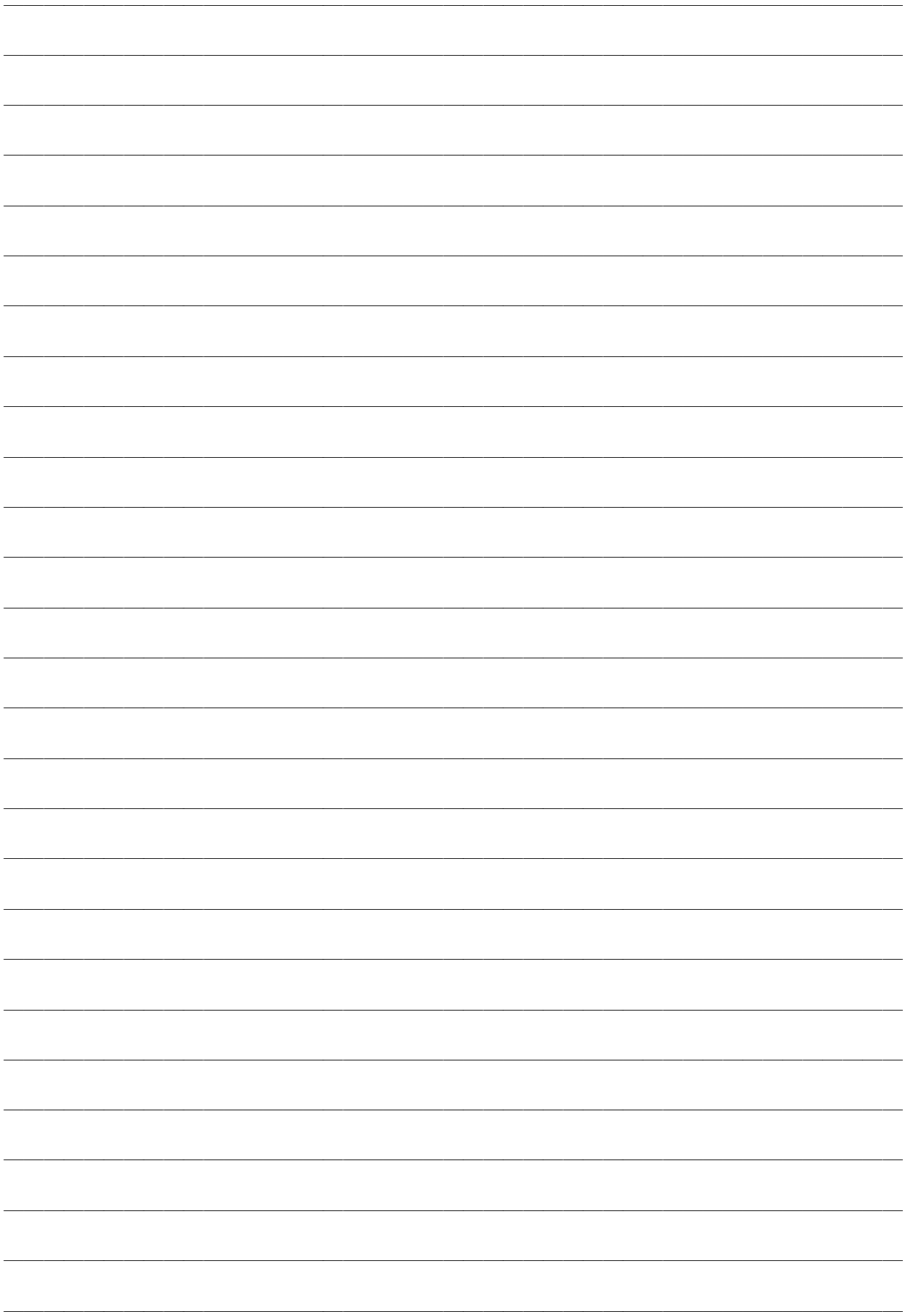
凡是擅自改裝產品而發生問題，或是產品由未經授權之人員進行維修，以及未依循使用說明來操作導致機器損壞，恕不提供保固服務。

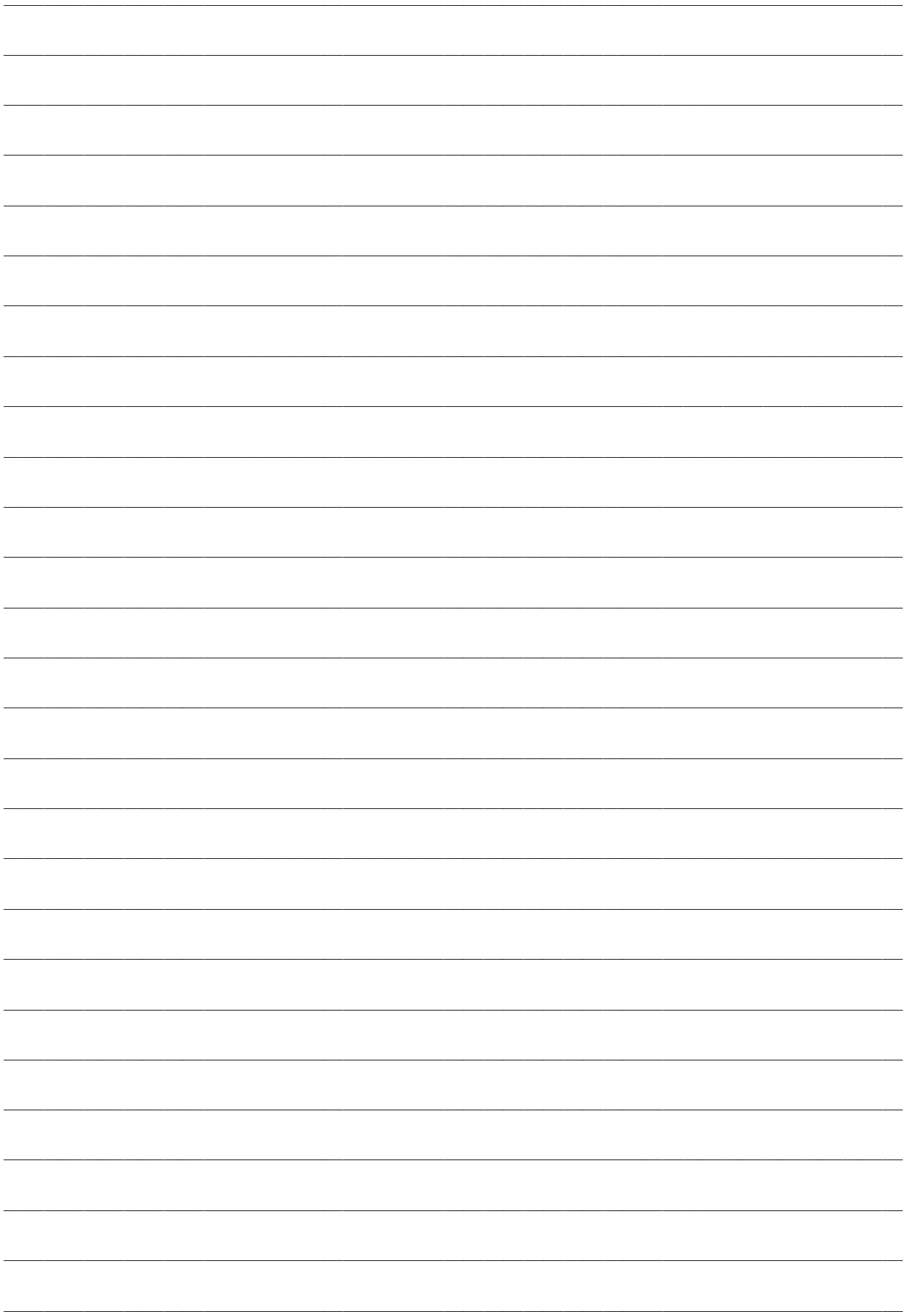
請注意，此保固條款並非維修合約，故不包含免費的機器保養、清結服務及消耗品的更換。

各代理商可依各自的義務或責任來提供各自額外的保護條款。

若需售後服務或任何協助時，請務必提供機器的序號及型號給 Antari 授權之代理商。

請確實閱讀並妥善保存此說明書









For current product information visit Antari at: www.antari.com
For information requests please contact us at: sales@antari.com



C08W53D06

www.antari.com