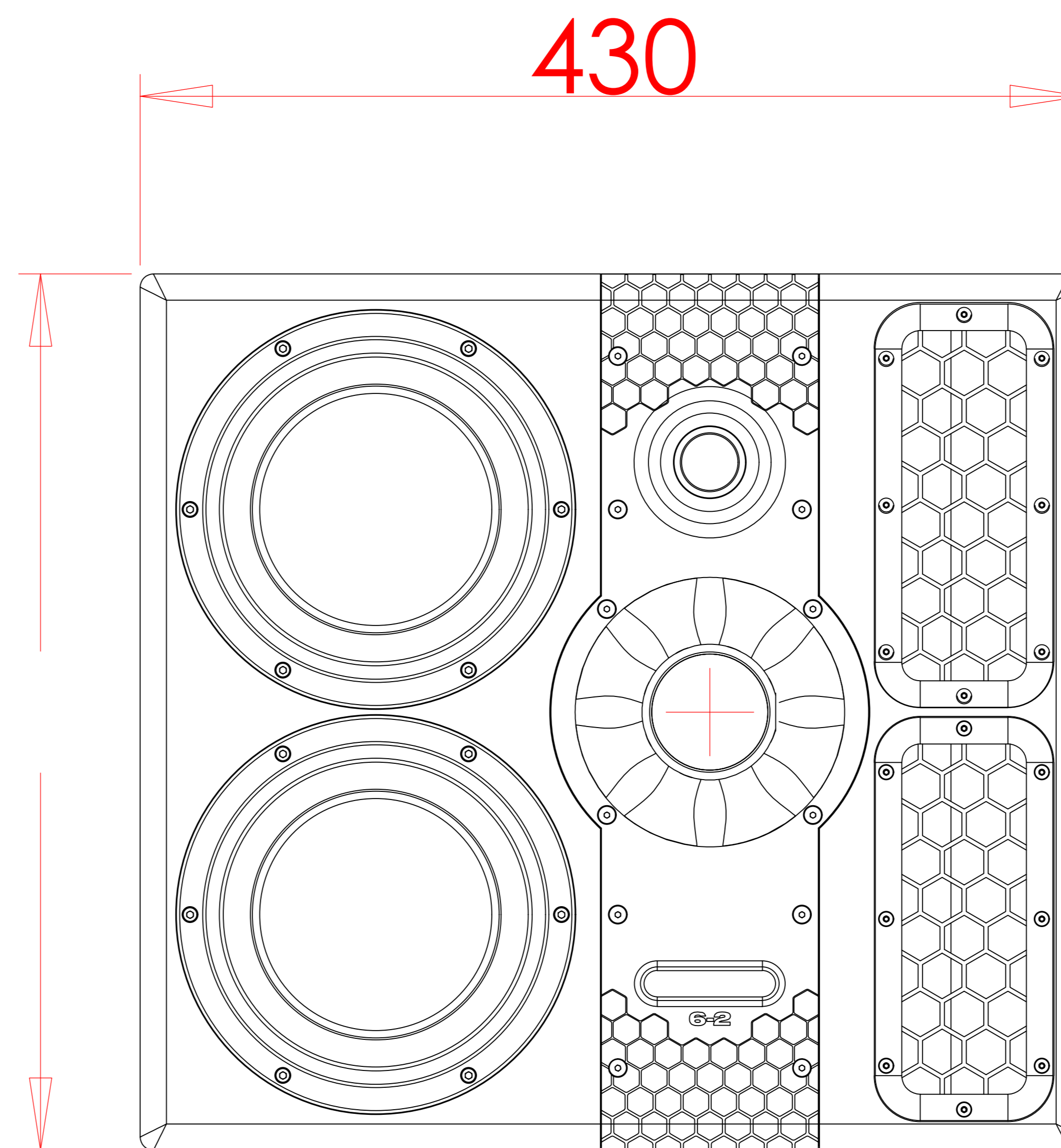


PMC6 & PMC6-2 total depth

PMC6 & PMC6-2 cabinet depth



Product Weight:
PMC6-2 - 21.3KG



THE PROFESSIONAL MONITOR COMPANY
 Holme Court
 Biggleswade, Bedfordshire SG18 9ST
 Tel: 01767 686 300

SIZE	TITLE	5			
A3 PROJECT	PMC 6-2	4			
SCALE	Studio	3			
1:10	PART NO. REV.	2			
SHEET	All Tolerances +/-0.2mm Unless otherwise stated	1	PM	Dimensions	27/08/21
1 of 1	All Dimensions in mm	ISS.	INIT.	DESCRIPTION	DATE APP.